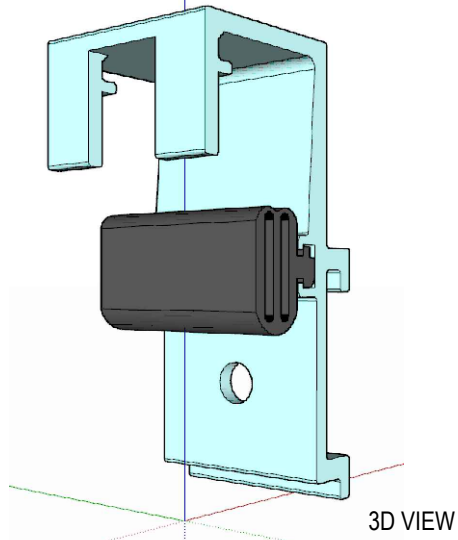
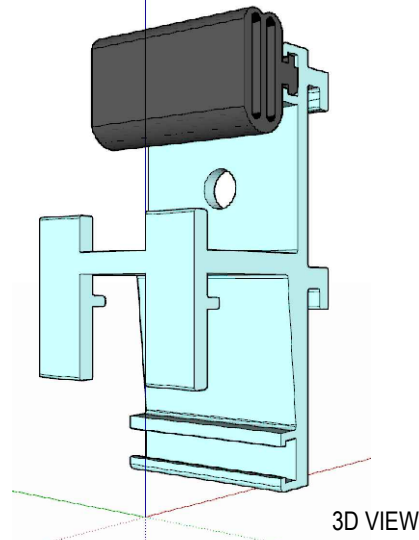


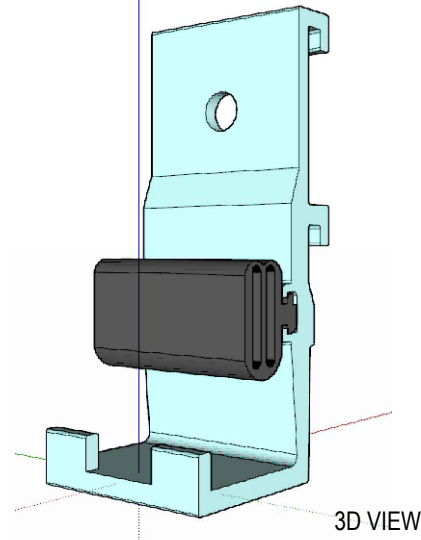
# PROPOSE TYPICAL FIXING DETAIL FOR NBK TILE 28MM



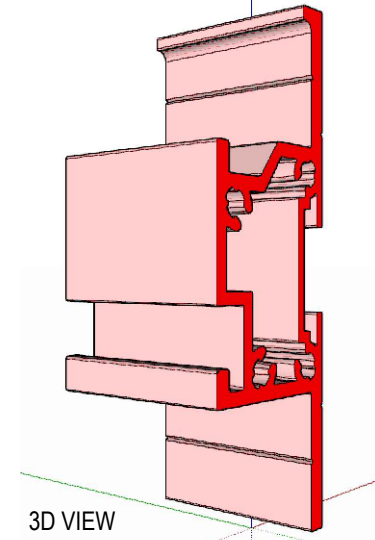
3D VIEW



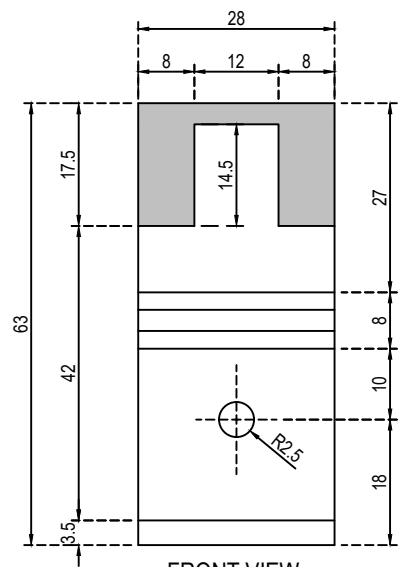
3D VIEW



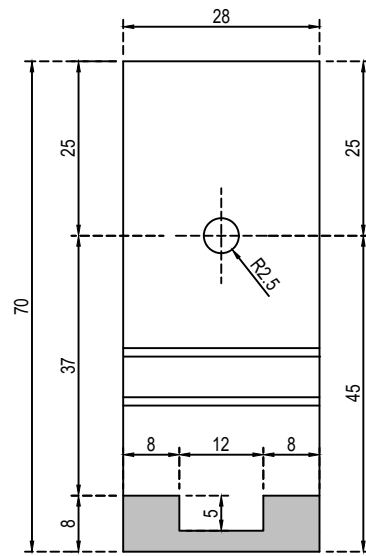
3D VIEW



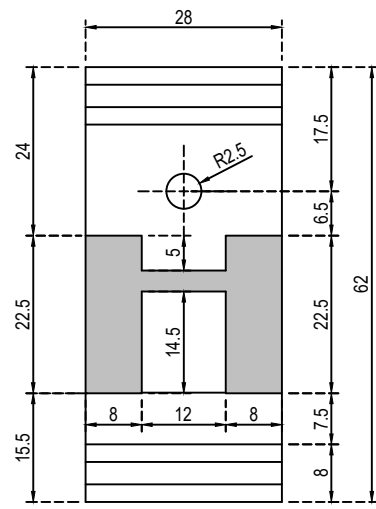
3D VIEW



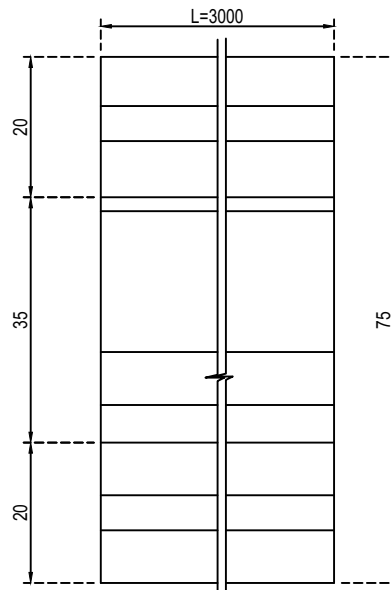
FRONT VIEW



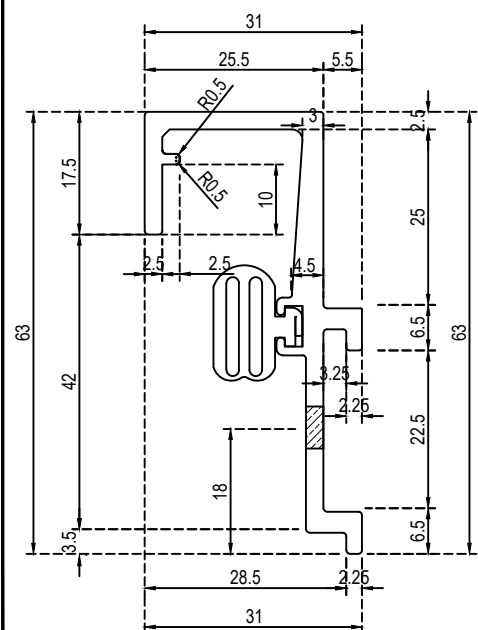
FRONT VIEW



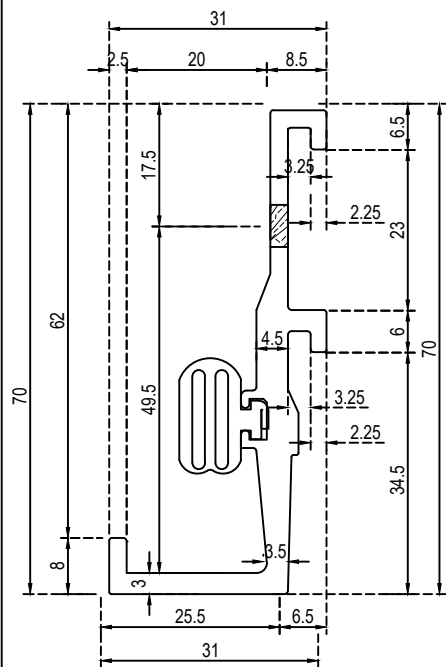
FRONT VIEW



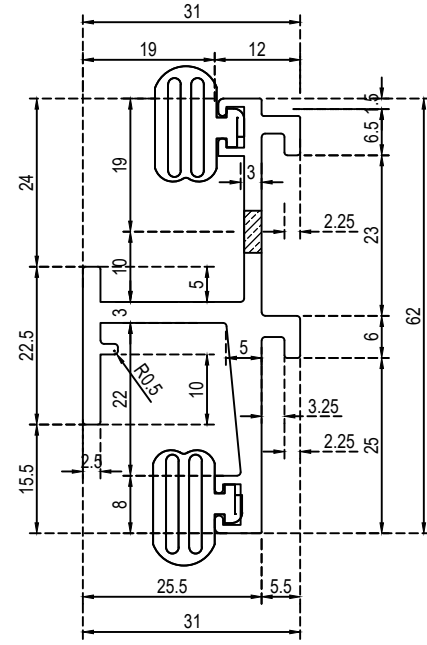
FRONT VIEW



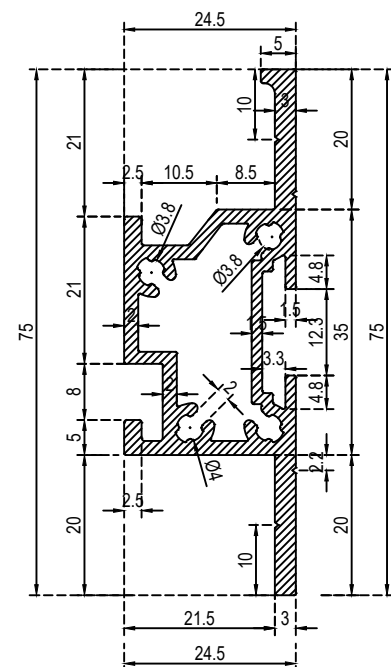
SIDE VIEW  
NBK ALUMINUM  
TOP CLIP V28N



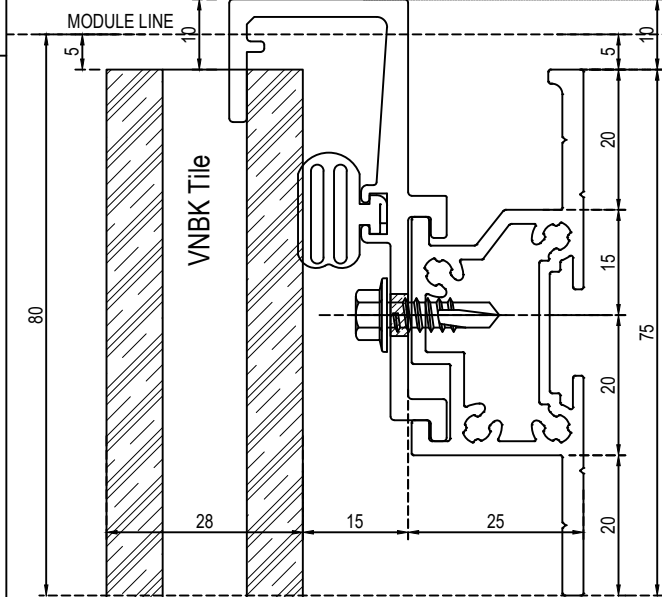
SIDE VIEW  
NBK ALUMINUM  
BOT. CLIP V28N



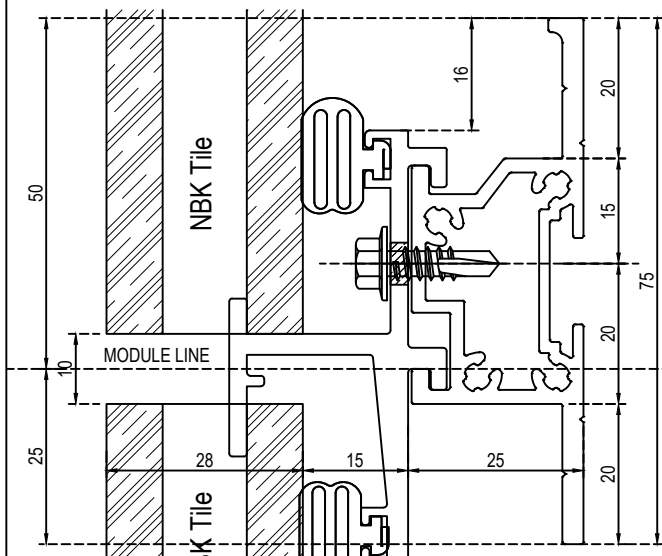
SIDE VIEW  
NBK ALUMINUM  
STANDARD CLIP V28N



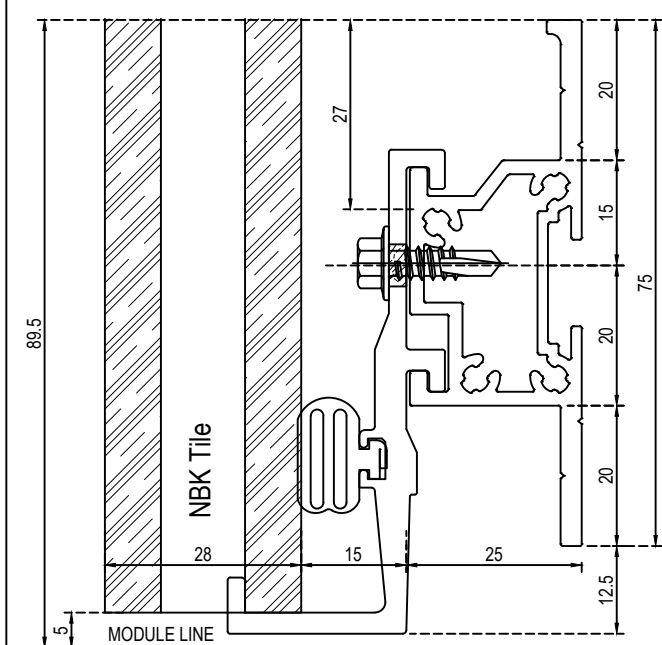
SIDE VIEW  
ALUMINUM TRACK  
PROFILE HT03



COMBINATION TOP.CLIP V28N DETAIL



COMBINATION STANDARD .CLIP V28N DETAIL



COMBINATION BOT.CLIP V28N DETAIL

**PRELIMINARY DRAWING**

CLIENT

ARCHITECT

CONSULTANT

MAIN CONTRACTOR

INSTALLER

**NBK®- MID**  
Hunter Douglas  
Architectural Terracotta Co., Ltd.  
TEL:0512-63254999  
FAX:0512-63254999

KEY PLAN / ELEVATION

	Name	Signature
Drawn	HUONG PHAM	
Check	HUONG PHAM	
Approve	AKAY NGUYEN	
Date	November 8, 2019	
Project	Jacobsen, New Zealand Typical details	
Drawing Title	NBK COMPONENTS	
Drawing No	DT-0	
Scale	1:1	Format A3
Revisions		Status

THIS DRAWING IS COPYRIGHT AND SHOULD NOT BE USED OR REPRODUCED FOR ANY PURPOSE OTHER THAN FOR THAT WHICH IT IS SUPPLIED WITHOUT THE WRITTEN CONSENT OF HUNTER DOUGLAS

CLIENT

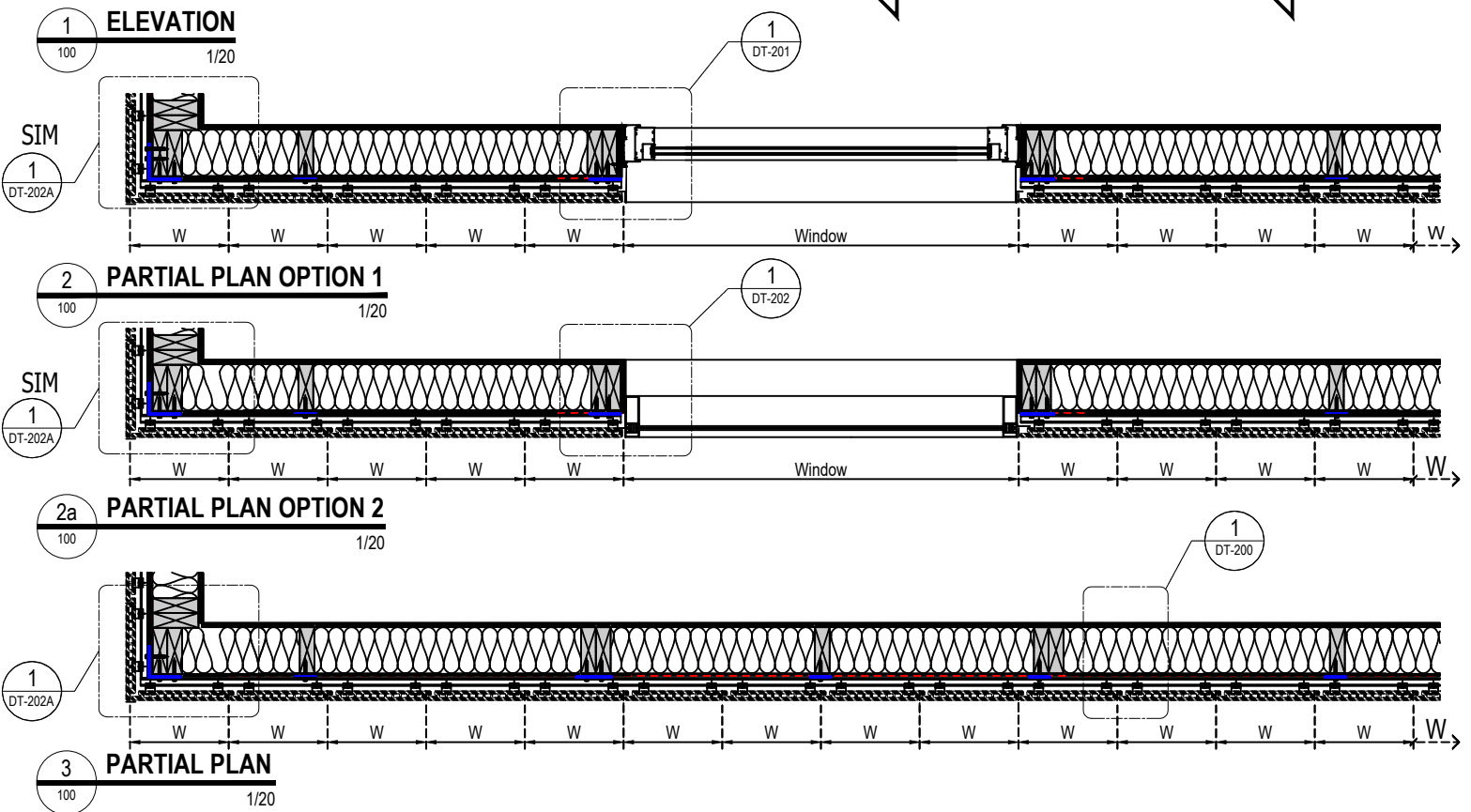
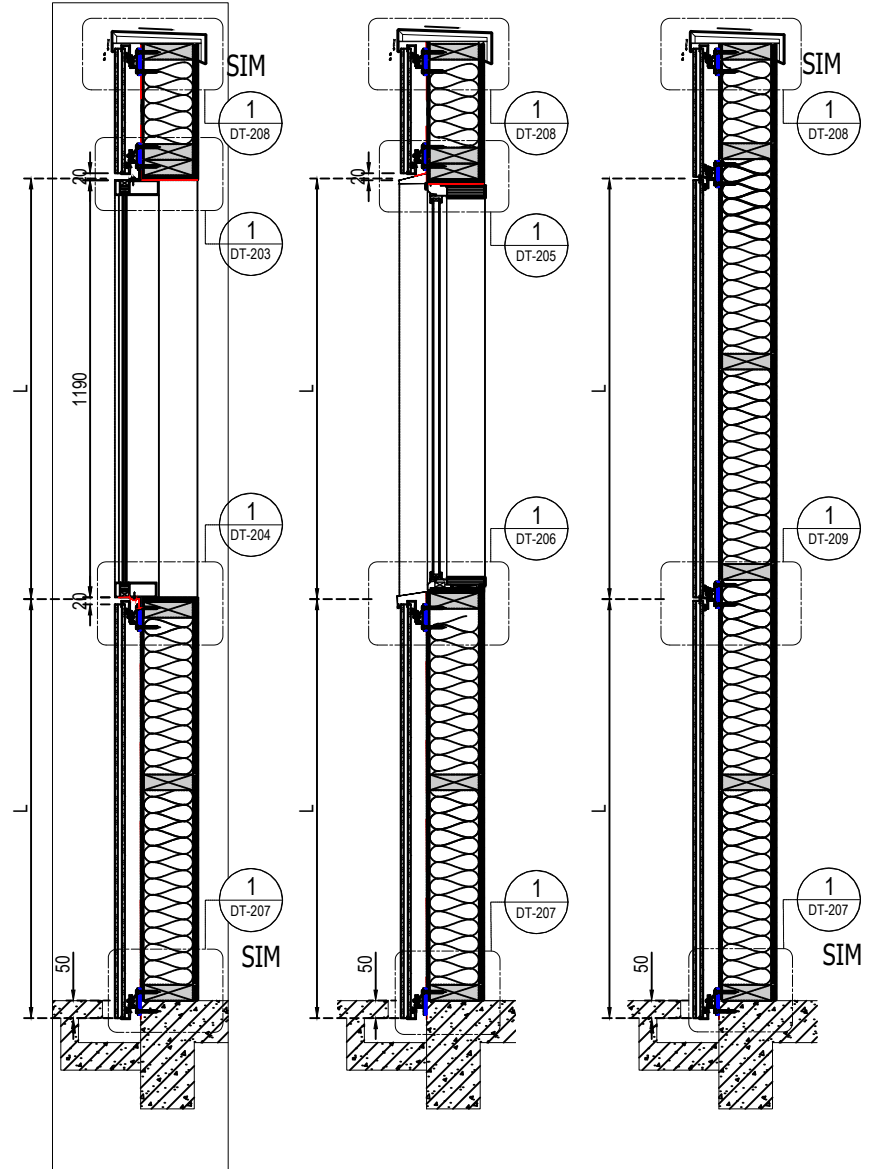
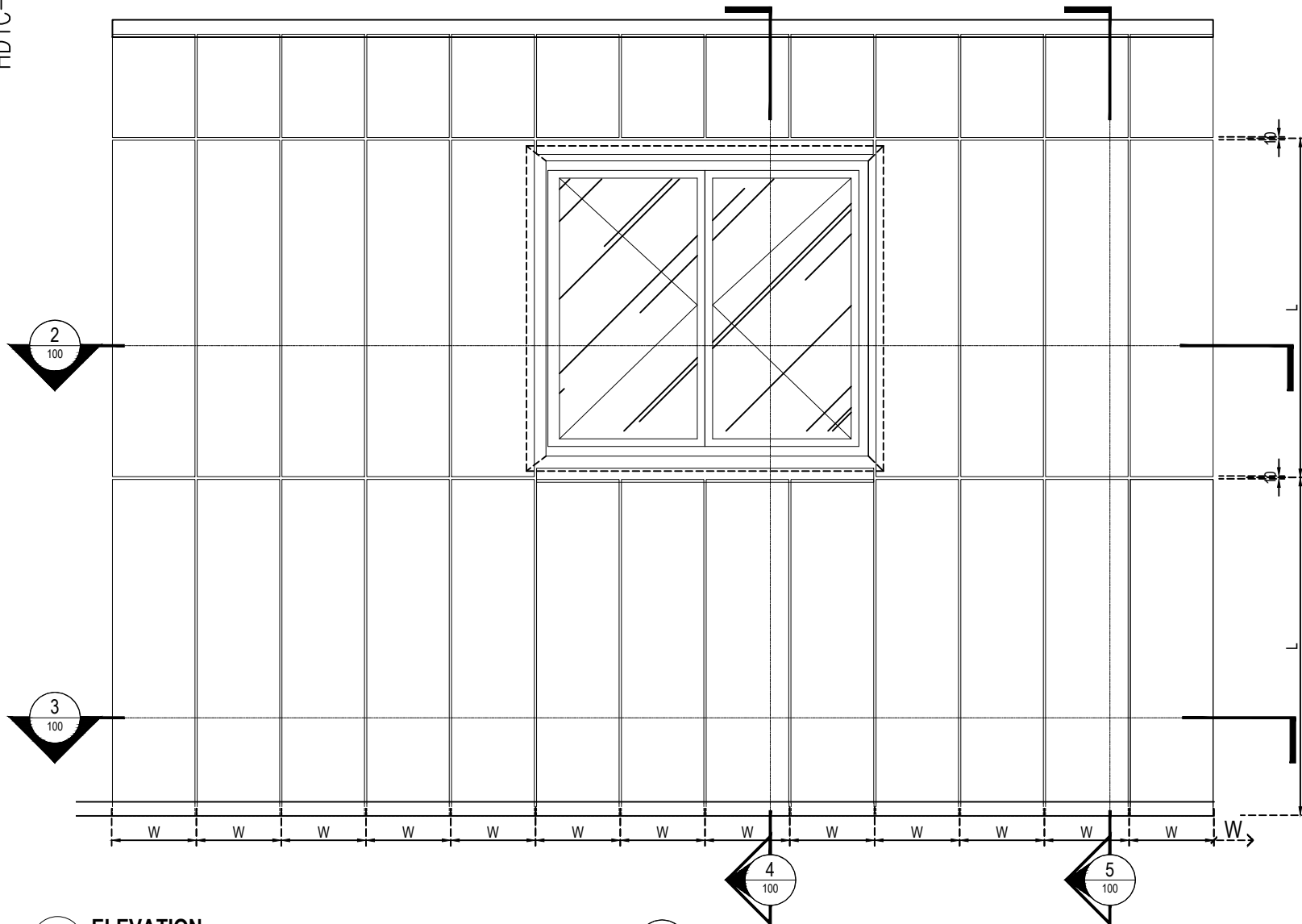
ARCHITECT

CONSULTANT

ARCHITECTURAL TERRACOTTA  
 MAIN CONTRACTOR  
 HunterDouglas Architectural Terracotta (China) Co., Ltd.  
 No.558, FOHO Avenue, FOHO Economic Development Zone,  
 Wujiang, Jiangsu, China

INSTALLER

**NBK®- MID**  
 Hunter Douglas  
 Architectural Terracotta Co., Ltd.  
 TEL:0512-63254999  
 FAX:0512-63254999



**4 SECTION OPTION 1** 1/20  
**4a SECTION OPTION 2** 1/20  
**5 SECTION 3** 1/20

KEY PLAN / ELEVATION

	Name	Signature
Drawn	HUONG PHAM	
Check	HUONG PHAM	
Approve	AKAY NGUYEN	
Date	November 8, 2019	
Project	Jacobsen, New Zealand Typical details	
Drawing Title	ELEVATION & SECTION	
Drawing No	DT-100	
Scale	1:1	Format A3
Revisions		Status

TERRACOTA AT WINDOW TYPICAL DETAIL  
 OPTION Vertical NBK Tile

**PRELIMINARY DRAWING**

©THIS DRAWING IS COPYRIGHT AND SHOULD NOT BE USED OR REPRODUCED FOR ANY PURPOSE OTHER THAN FOR THAT WHICH IT IS SUPPLIED WITHOUT THE WRITTEN CONSENT OF HUNTER DOUGLAS

CLIENT

ARCHITECT

CONSULTANT  
 ARCHITECTURAL TERRACOTTA

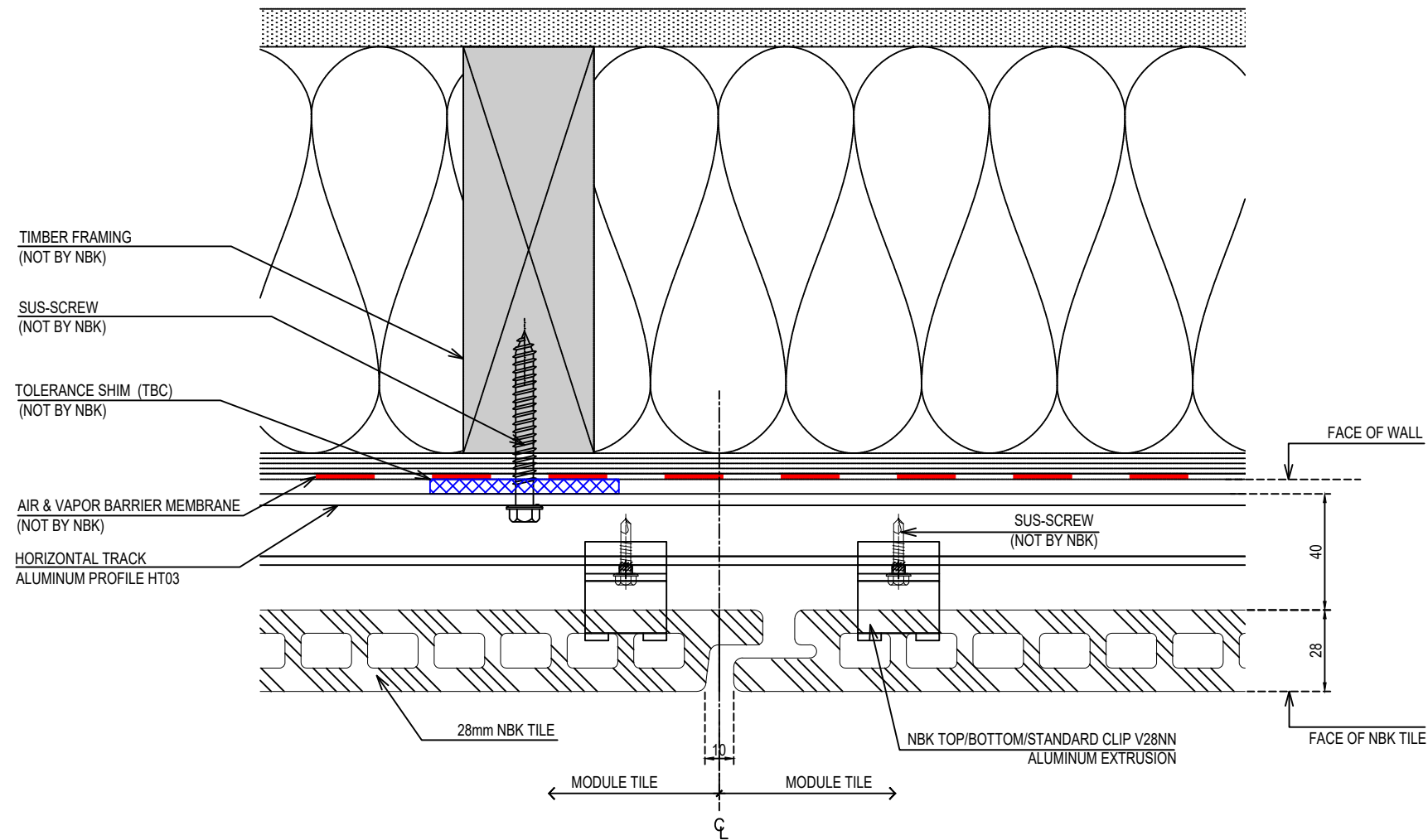
MAIN CONTRACTOR  
 HunterDouglas Architectural Terracotta (China) Co., Ltd.  
 No.558, FOHO Avenue, FOHO Economic Development Zone,  
 Wujiang, Jiangsu, China

INSTALLER

**NBK®- MID**

Hunter Douglas Architectural Terracotta Co., Ltd.  
 TEL: 0512-63254999  
 FAX: 0512-63254999

KEY PLAN / ELEVATION



**1 TYPICAL JOINT DETAIL**  
 DT-200 1/2

	Name	Signature
Drawn	HUONG PHAM	
Check	HUONG PHAM	
Approve	AKAY NGUYEN	
Date	November 8, 2019	
Project	Jacobsen, New Zealand Typical details	
Drawing Title	TYPICAL DETAILS	
Drawing No	DT-200	
Scale	1:1	Format A3
Revisions		Status

**PRELIMINARY DRAWING**

©THIS DRAWING IS COPYRIGHT AND SHOULD NOT BE USED OR REPRODUCED FOR ANY PURPOSE OTHER THAN FOR THAT WHICH IT IS SUPPLIED WITHOUT THE WRITTEN CONSENT OF HUNTER DOUGLAS

CLIENT

ARCHITECT

CONSULTANT  
 ARCHITECTURAL TERRACOTTA

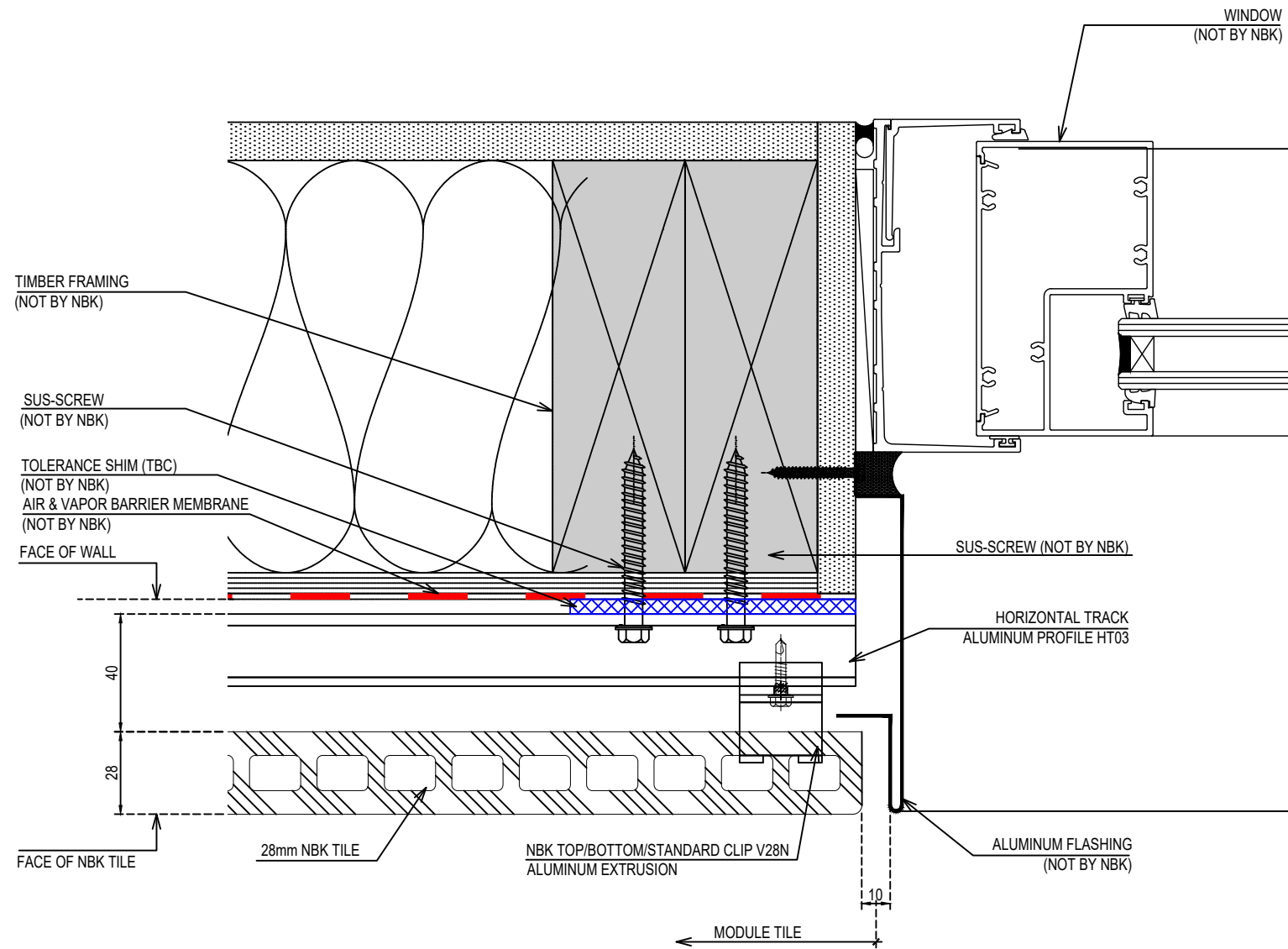
MAIN CONTRACTOR  
 HunterDouglas Architectural Terracotta (China) Co., Ltd.  
 No.558, FOHO Avenue, FOHO Economic Development Zone,  
 Wujiang, Jiangsu, China

INSTALLER

**NBK®- MID**

Hunter Douglas Architectural Terracotta Co., Ltd.  
 TEL: 0512-63254999  
 FAX: 0512-63254999

KEY PLAN / ELEVATION



1 PLAN DETAIL  
 DT-201 1/2

PRELIMINARY DRAWING

	Name	Signature
Drawn	HUONG PHAM	
Check	HUONG PHAM	
Approve	AKAY NGUYEN	
Date	November 8, 2019	
Project	Jacobsen, New Zealand Typical details	
Drawing Title	TYPICAL DETAILS	
Drawing No	DT-201	
Scale	1:1	Format A3
Revisions		Status

©THIS DRAWING IS COPYRIGHT AND SHOULD NOT BE USED OR REPRODUCED FOR ANY PURPOSE OTHER THAN FOR THAT WHICH IT IS SUPPLIED WITHOUT THE WRITTEN CONSENT OF HUNTER DOUGLAS

CLIENT

ARCHITECT

CONSULTANT  
  
 ARCHITECTURAL TERRACOTTA

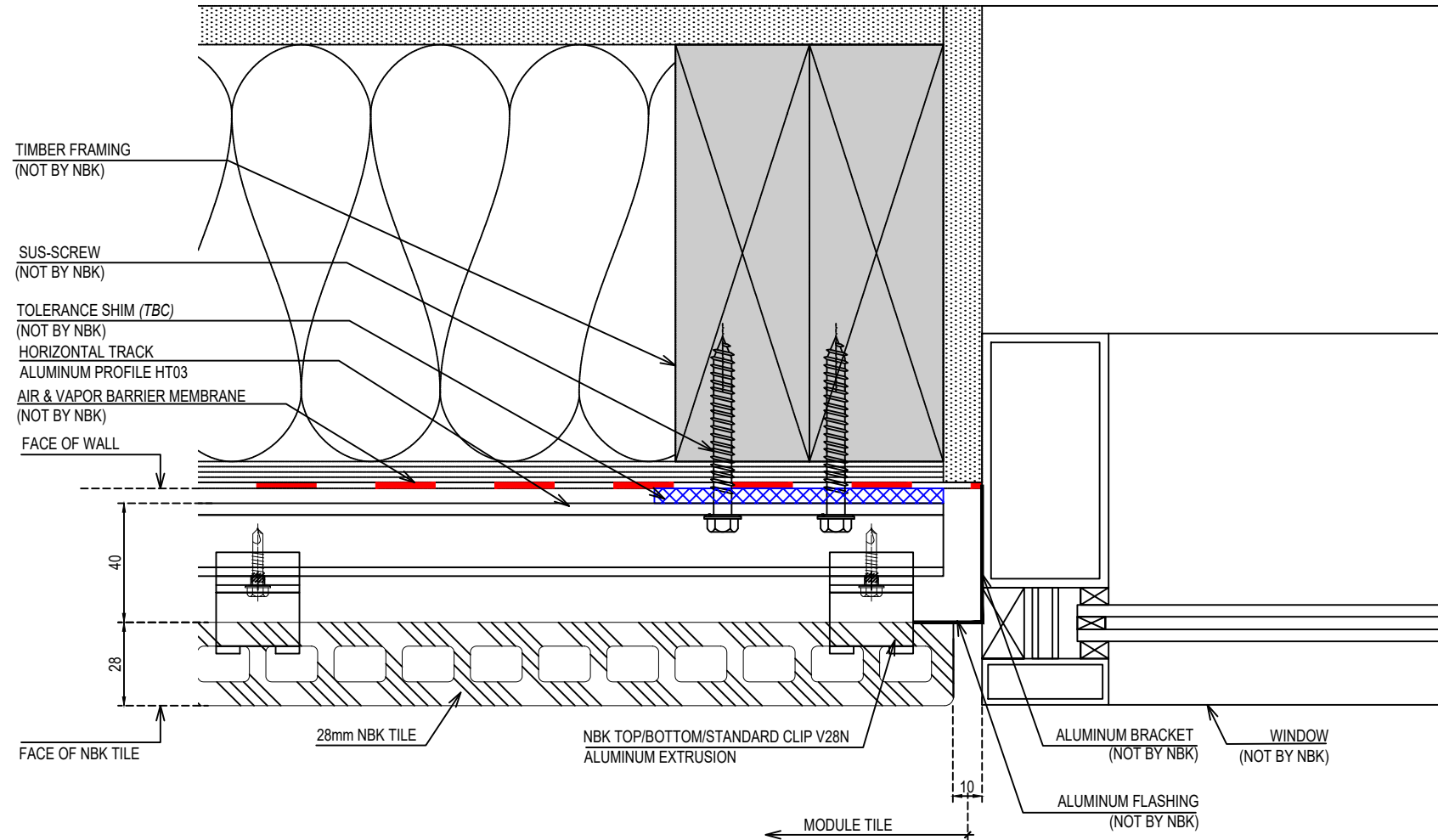
MAIN CONTRACTOR  
 HunterDouglas Architectural Terracotta (China) Co., Ltd.  
 No.558, FOHO Avenue, FOHO Economic Development Zone,  
 Wujiang, Jiangsu, China

INSTALLER

**NBK®- MID**

Hunter Douglas  
 Architectural Terracotta Co., Ltd.  
 TEL: 0512-63254999  
 FAX: 0512-63254999

KEY PLAN / ELEVATION



**1 PLAN DETAIL**  
 DT-202 1/2

	Name	Signature
Drawn	HUONG PHAM	
Check	HUONG PHAM	
Approve	AKAY NGUYEN	
Date	November 8, 2019	
Project	Jacobsen, New Zealand Typical details	
Drawing Title	TYPICAL DETAILS	
Drawing No	DT-202	
Scale	1:1	Format A3
Revisions		Status

**PRELIMINARY DRAWING**

©THIS DRAWING IS COPYRIGHT AND SHOULD NOT BE USED OR REPRODUCED FOR ANY PURPOSE OTHER THAN FOR THAT WHICH IT IS SUPPLIED WITHOUT THE WRITTEN CONSENT OF HUNTER DOUGLAS

CLIENT

ARCHITECT

CONSULTANT  
 ARCHITECTURAL TERRACOTTA

MAIN CONTRACTOR  
 HunterDouglas Architectural Terracotta (China) Co., Ltd.  
 No.558, FOHO Avenue, FOHO Economic Development Zone,  
 Wujiang, Jiangsu, China

INSTALLER

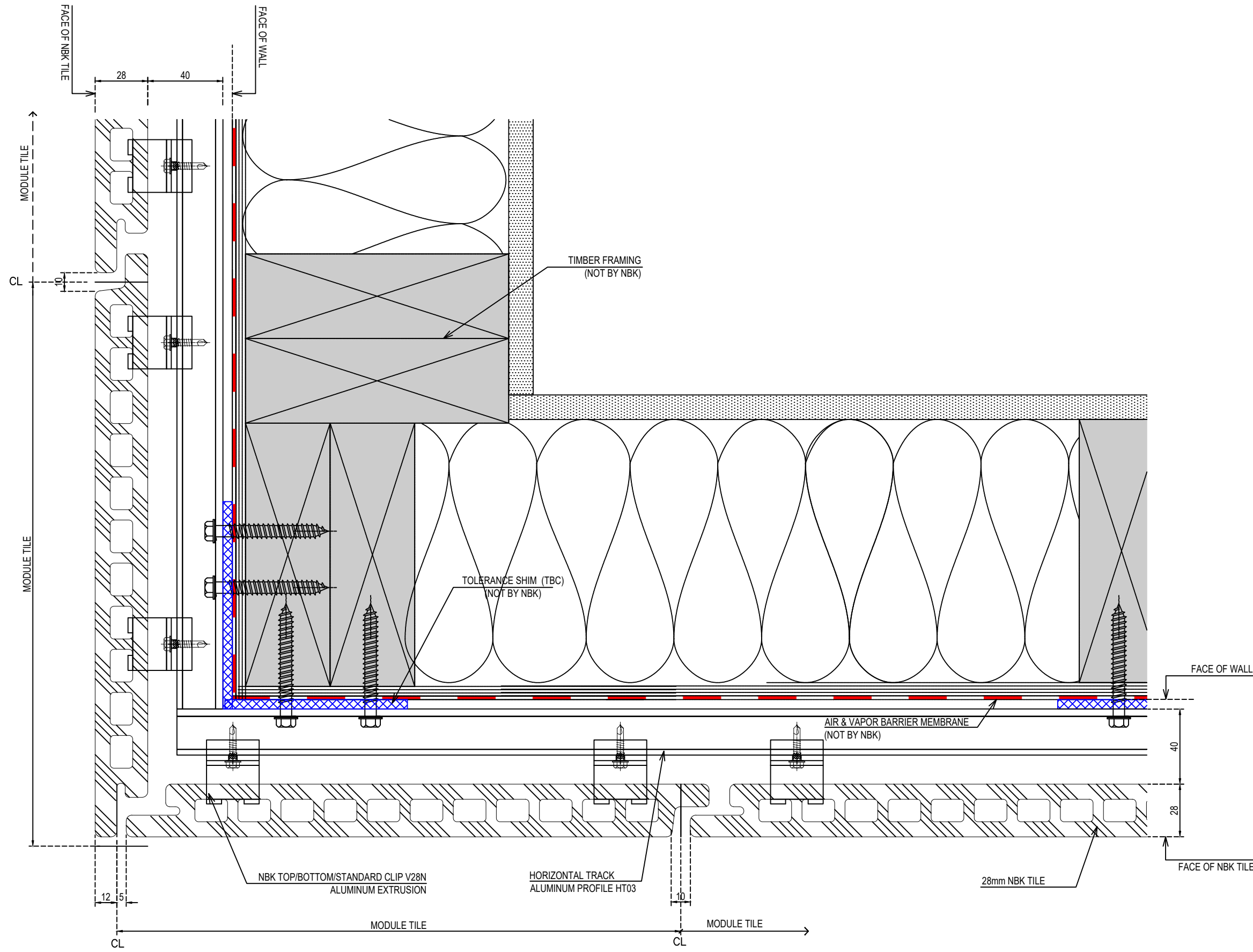
**NBK®- MID**

Hunter Douglas  
 Architectural Terracotta Co., Ltd.  
 TEL: 0512-63254999  
 FAX: 0512-63254999

KEY PLAN / ELEVATION

	Name	Signature
Drawn	HUONG PHAM	
Check	HUONG PHAM	
Approve	AKAY NGUYEN	
Date	November 8, 2019	
Project	Jacobsen, New Zealand Typical details	
Drawing Title	TYPICAL DETAILS	
Drawing No	DT-202A	
Scale	1:1	Format A3
Revisions		Status

©THIS DRAWING IS COPYRIGHT AND SHOULD NOT BE USED OR REPRODUCED FOR ANY PURPOSE OTHER THAN FOR THAT WHICH IT IS SUPPLIED WITHOUT THE WRITTEN CONSENT OF HUNTER DOUGLAS



**1 SECTION DETAIL**  
 DT-207 1/2

**PRELIMINARY DRAWING**

CLIENT

ARCHITECT

CONSULTANT  
 ARCHITECTURAL TERRACOTTA

MAIN CONTRACTOR  
 HunterDouglas Architectural Terracotta (China) Co., Ltd.  
 No.558, FOHO Avenue, FOHO Economic Development Zone,  
 Wujiang, Jiangsu, China

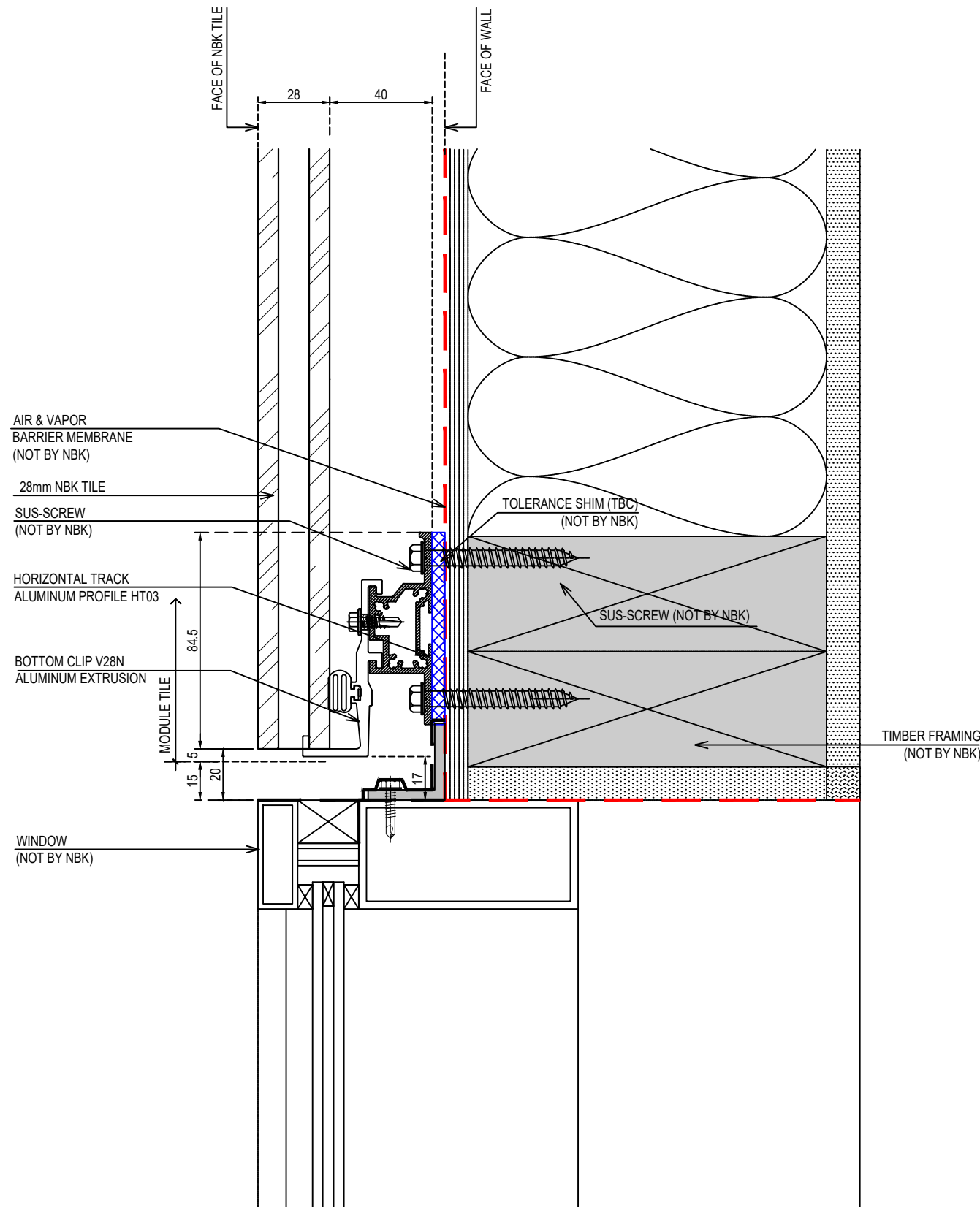
INSTALLER

**NBK®- MID**

Hunter Douglas  
 Architectural Terracotta Co., Ltd.  
 TEL:0512-63254999  
 FAX:0512-63254999

KEY PLAN / ELEVATION

	Name	Signature
Drawn	HUONG PHAM	
Check	HUONG PHAM	
Approve	AKAY NGUYEN	
Date	November 8, 2019	
Project	Jacobsen, New Zealand Typical details	
Drawing Title	TYPICAL DETAILS	
Drawing No	DT-203	
Scale	1:1	Format A3
Revisions		Status



**1 SECTION DETAIL**  
 DT-203 1/2

**PRELIMINARY DRAWING**

©THIS DRAWING IS COPYRIGHT AND SHOULD NOT BE USED OR REPRODUCED FOR ANY PURPOSE OTHER THAN FOR THAT WHICH IT IS SUPPLIED WITHOUT THE WRITTEN CONSENT OF HUNTER DOUGLAS

CLIENT

ARCHITECT

CONSULTANT  
 ARCHITECTURAL TERRACOTTA

MAIN CONTRACTOR  
 HunterDouglas Architectural Terracotta (China) Co., Ltd.  
 No.558, FOHO Avenue, FOHO Economic Development Zone,  
 Wujiang, Jiangsu, China

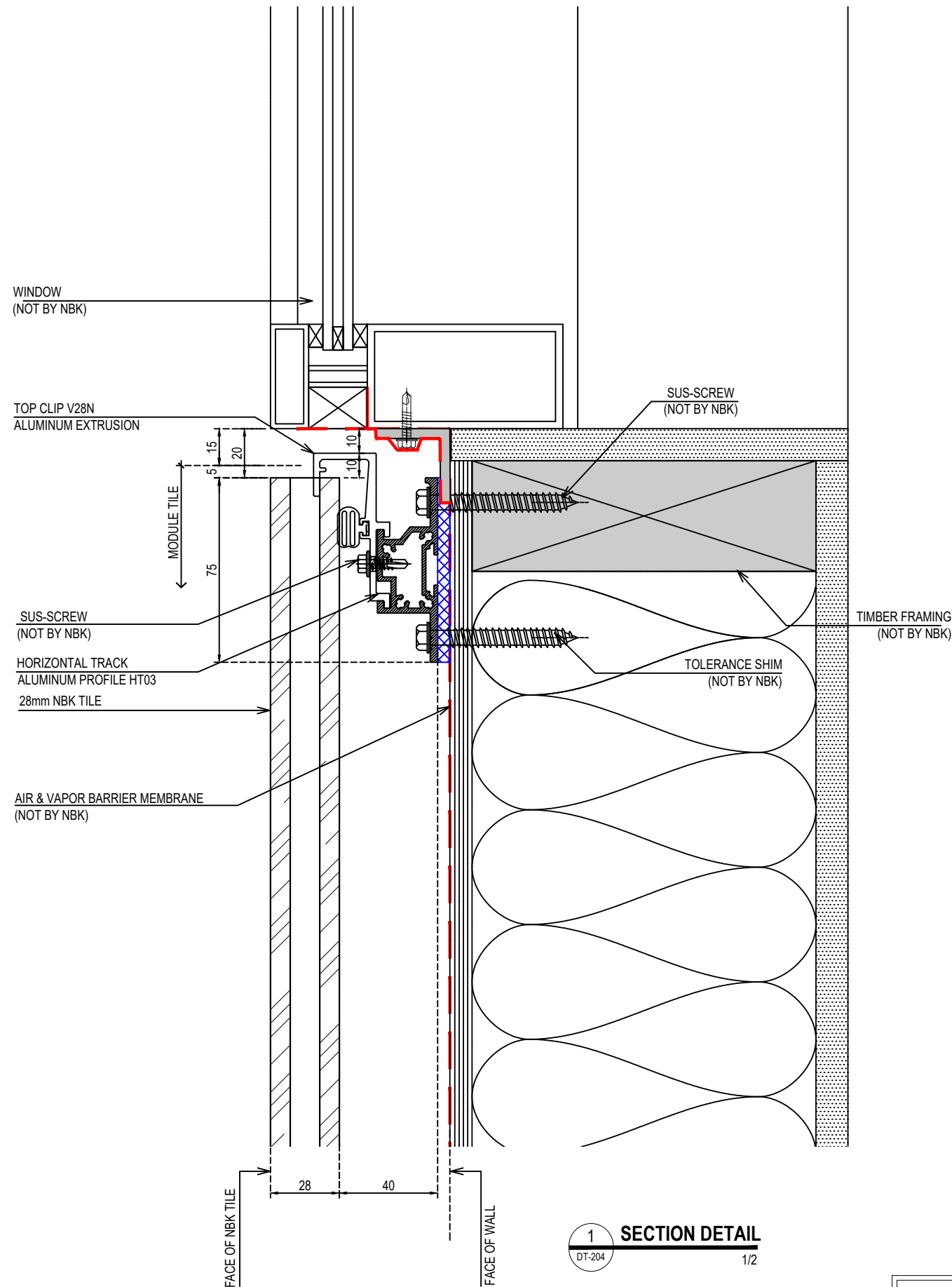
INSTALLER

**NBK®- MID**

Hunter Douglas Architectural Terracotta Co., Ltd.  
 TEL: 0512-63254999  
 FAX: 0512-63254999

KEY PLAN / ELEVATION

	Name	Signature
Drawn	HUONG PHAM	
Check	HUONG PHAM	
Approve	AKAY NGUYEN	
Date	November 8, 2019	
Project	Jacobsen, New Zealand Typical details	
Drawing Title	TYPICAL DETAILS	
Drawing No	DT-204	
Scale	1:1	Format A3
Revisions		Status



PRELIMINARY DRAWING



CLIENT

ARCHITECT

CONSULTANT  
 ARCHITECTURAL TERRACOTTA

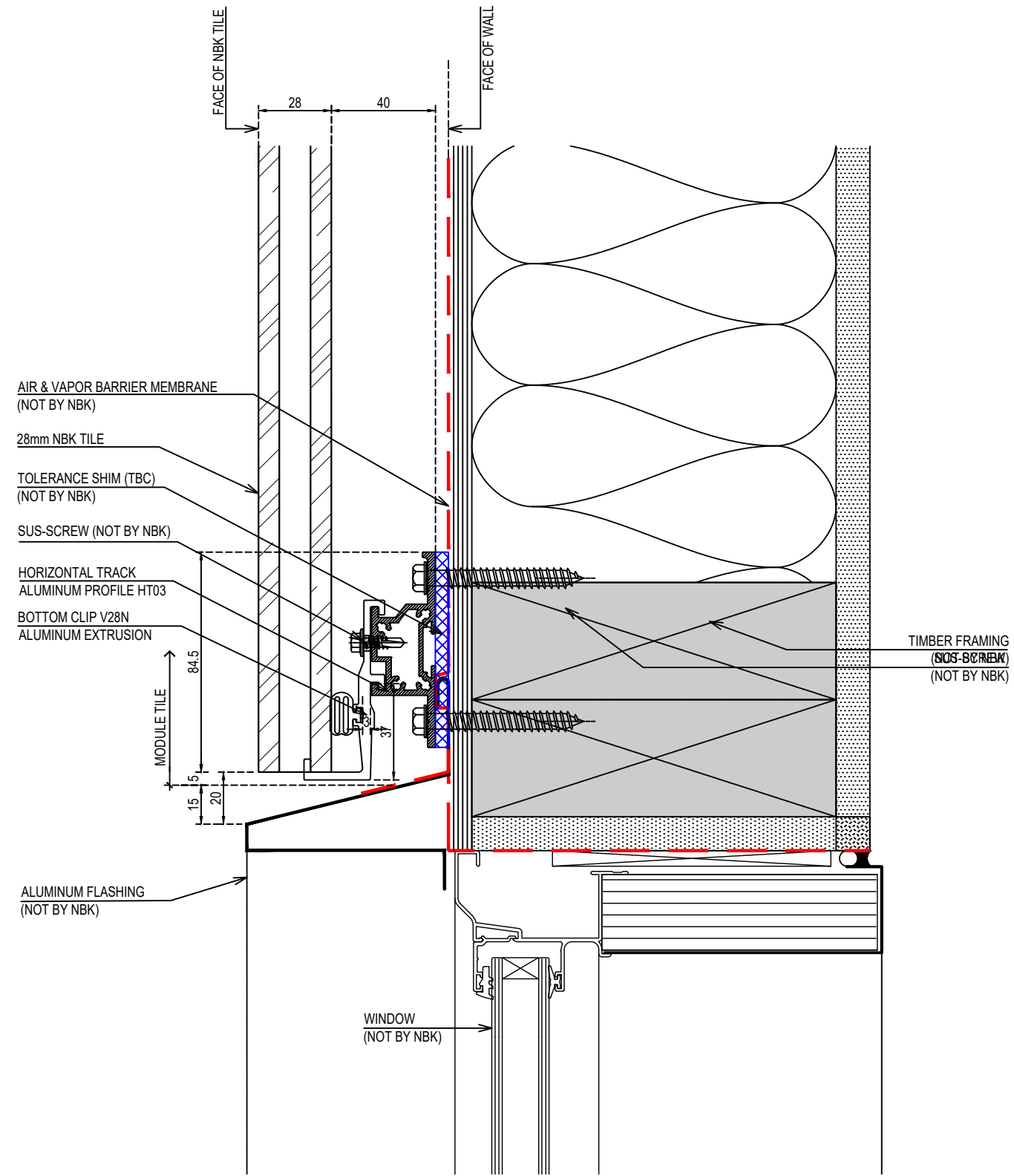
MAIN CONTRACTOR  
 HunterDouglas Architectural Terracotta (China) Co., Ltd.  
 No.558, FOHO Avenue, FOHO Economic Development Zone,  
 Wujiang, Jiangsu, China

INSTALLER

**NBK®- MID**  
 Hunter Douglas Architectural Terracotta Co., Ltd.  
 TEL:0512-63254999  
 FAX:0512-63254999

KEY PLAN / ELEVATION

	Name	Signature
Drawn	HUONG PHAM	
Check	HUONG PHAM	
Approve	AKAY NGUYEN	
Date	November 8, 2019	
Project	Jacobsen, New Zealand Typical details	
Drawing Title	TYPICAL DETAILS	
Drawing No	DT-205	
Scale	1:1	Format A3
Revisions		Status



PRELIMINARY DRAWING

©THIS DRAWING IS COPYRIGHT AND SHOULD NOT BE USED OR REPRODUCED FOR ANY PURPOSE OTHER THAN FOR THAT WHICH IT IS SUPPLIED WITHOUT THE WRITTEN CONSENT OF HUNTER DOUGLAS

CLIENT

ARCHITECT

CONSULTANT  
 ARCHITECTURAL TERRACOTTA

MAIN CONTRACTOR  
 HunterDouglas Architectural Terracotta (China) Co., Ltd.  
 No.558, FOHO Avenue, FOHO Economic Development Zone,  
 Wujiang, Jiangsu, China

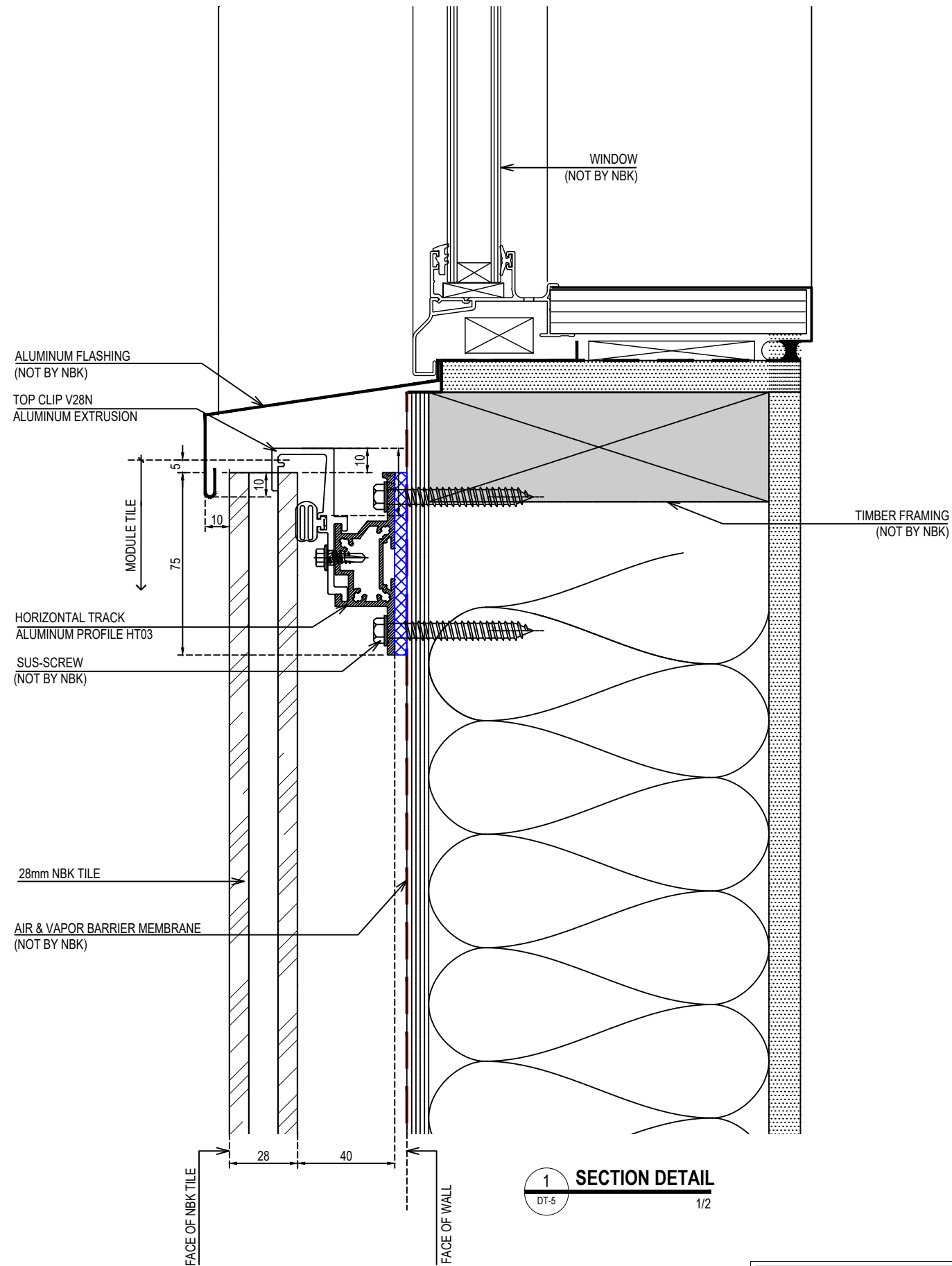
INSTALLER

**NBK®- MID**

Hunter Douglas  
 Architectural Terracotta Co., Ltd.  
 TEL:0512-63254999  
 FAX:0512-63254999

KEY PLAN / ELEVATION

	Name	Signature
Drawn	HUONG PHAM	
Check	HUONG PHAM	
Approve	AKAY NGUYEN	
Date	November 8, 2019	
Project	Jacobsen, New Zealand Typical details	
Drawing Title	TYPICAL DETAILS	
Drawing No	DT-206	
Scale	1:1	Format A3
Revisions		Status



PRELIMINARY DRAWING

©THIS DRAWING IS COPYRIGHT AND SHOULD NOT BE USED OR REPRODUCED FOR ANY PURPOSE OTHER THAN FOR THAT WHICH IT IS SUPPLIED WITHOUT THE WRITTEN CONSENT OF HUNTER DOUGLAS

CLIENT

ARCHITECT

CONSULTANT  
 ARCHITECTURAL TERRACOTTA

MAIN CONTRACTOR  
 Hunter Douglas Architectural Terracotta (China) Co., Ltd.  
 No.558, FOHO Avenue, FOHO Economic Development Zone,  
 Wujiang, Jiangsu, China

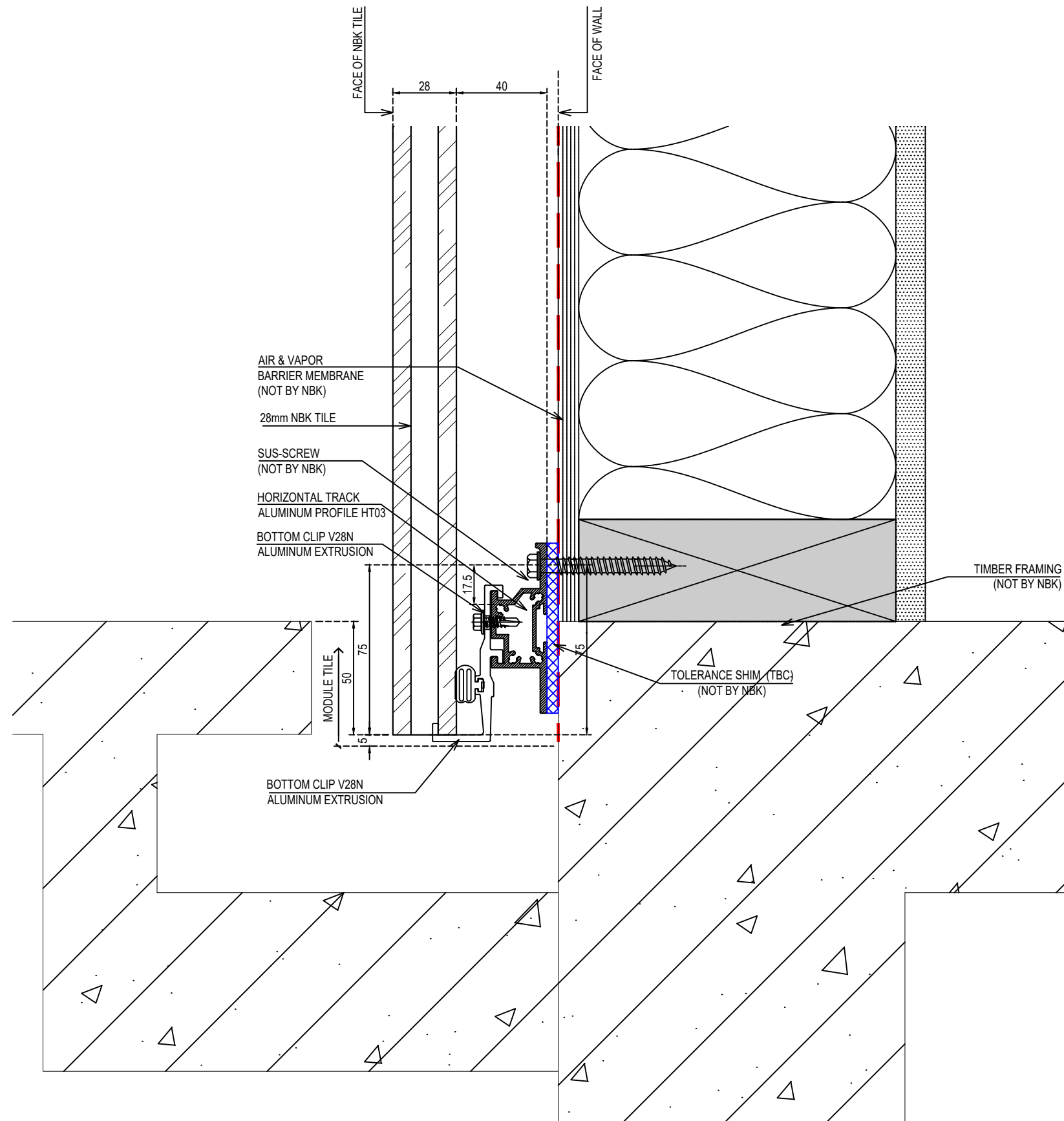
INSTALLER

**NBK®- MID**

Hunter Douglas Architectural Terracotta Co., Ltd.  
 TEL: 0512-63254999  
 FAX: 0512-63254999

KEY PLAN / ELEVATION

	Name	Signature
Drawn	HUONG PHAM	
Check	HUONG PHAM	
Approve	AKAY NGUYEN	
Date	November 8, 2019	
Project	Jacobsen, New Zealand Typical details	
Drawing Title	TYPICAL DETAILS	
Drawing No	DT-207	
Scale	1:1	Format A3
Revisions		Status



1 SECTION DETAIL  
 DT-207 1/2

PRELIMINARY DRAWING

©THIS DRAWING IS COPYRIGHT AND SHOULD NOT BE USED OR REPRODUCED FOR ANY PURPOSE OTHER THAN FOR THAT WHICH IT IS SUPPLIED WITHOUT THE WRITTEN CONSENT OF HUNTER DOUGLAS

CLIENT

ARCHITECT

CONSULTANT  
 ARCHITECTURAL TERRACOTTA

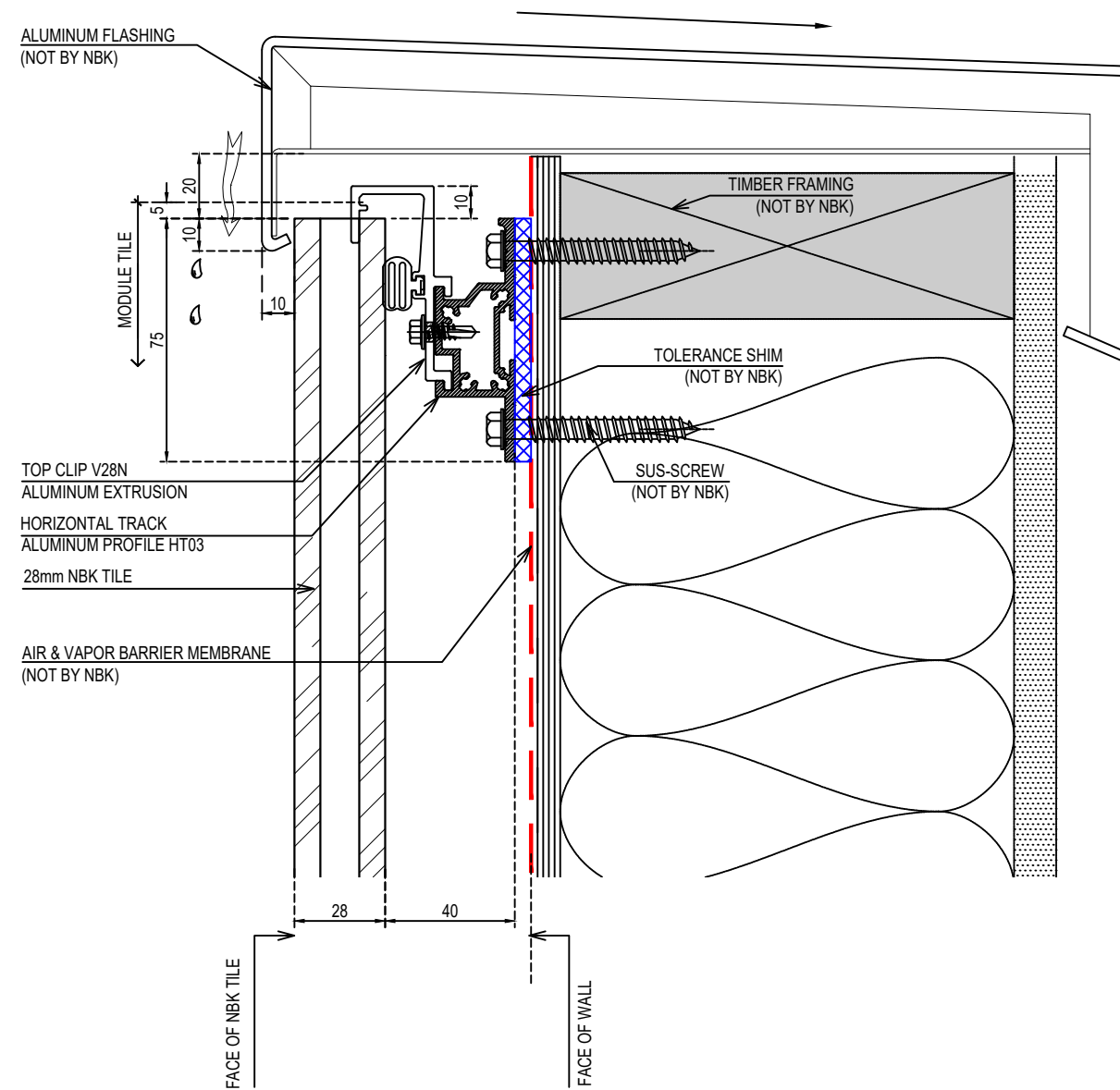
MAIN CONTRACTOR  
 HunterDouglas Architectural Terracotta (China) Co., Ltd.  
 No.558, FOHO Avenue, FOHO Economic Development Zone,  
 Wujiang, Jiangsu, China

INSTALLER

**NBK®- MID**

Hunter Douglas  
 Architectural Terracotta Co., Ltd.  
 TEL: 0512-63254999  
 FAX: 0512-63254999

KEY PLAN / ELEVATION



**1 SECTION DETAIL**  
 DT-208 1/2

	Name	Signature
Drawn	HUONG PHAM	
Check	HUONG PHAM	
Approve	AKAY NGUYEN	
Date	November 8, 2019	
Project	Jacobsen, New Zealand Typical details	
Drawing Title	TYPICAL DETAILS	
Drawing No	DT-208	
Scale	1:1	Format A3
Revisions		Status

**PRELIMINARY DRAWING**

©THIS DRAWING IS COPYRIGHT AND SHOULD NOT BE USED OR REPRODUCED FOR ANY PURPOSE OTHER THAN FOR THAT WHICH IT IS SUPPLIED WITHOUT THE WRITTEN CONSENT OF HUNTER DOUGLAS

CLIENT

ARCHITECT

CONSULTANT  
 ARCHITECTURAL TERRACOTTA

MAIN CONTRACTOR  
 HunterDouglas Architectural Terracotta (China) Co., Ltd.  
 No.558, FOHO Avenue, FOHO Economic Development Zone,  
 Wujiang, Jiangsu, China

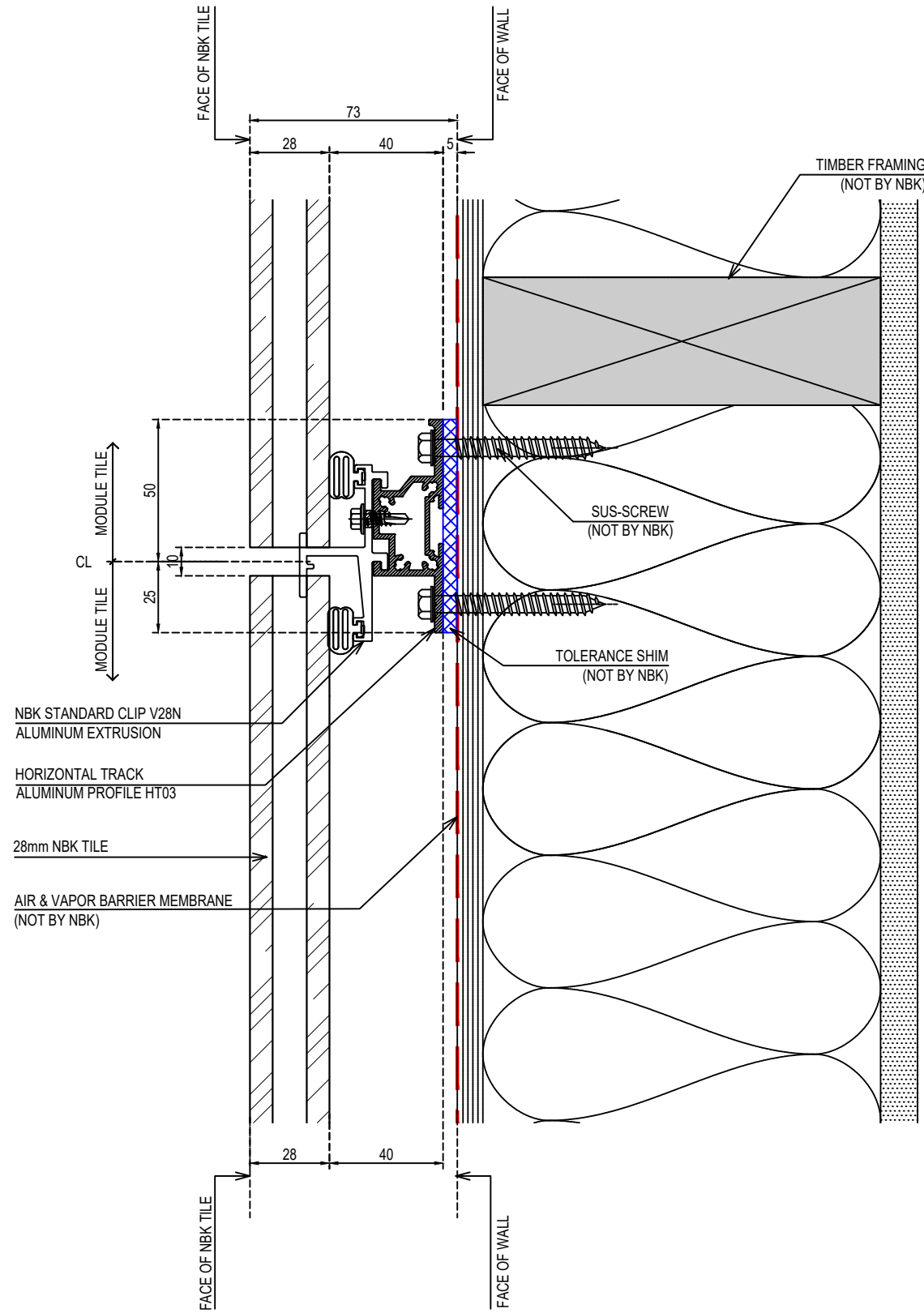
INSTALLER

**NBK®- MID**

Hunter Douglas  
 Architectural Terracotta Co., Ltd.  
 TEL: 0512-63254999  
 FAX: 0512-63254999

KEY PLAN / ELEVATION

	Name	Signature
Drawn	HUONG PHAM	
Check	HUONG PHAM	
Approve	AKAY NGUYEN	
Date	November 8, 2019	
Project	Jacobsen, New Zealand Typical details	
Drawing Title	TYPICAL DETAILS	
Drawing No	DT-209	
Scale	1:1	Format A3
Revisions		Status



- NBK STANDARD CLIP V28N ALUMINUM EXTRUSION
- HORIZONTAL TRACK ALUMINUM PROFILE HT03
- 28mm NBK TILE
- AIR & VAPOR BARRIER MEMBRANE (NOT BY NBK)

**1 SECTION DETAIL**  
 DT-208 1/2

**PRELIMINARY DRAWING**

©THIS DRAWING IS COPYRIGHT AND SHOULD NOT BE USED OR REPRODUCED FOR ANY PURPOSE OTHER THAN FOR THAT WHICH IT IS SUPPLIED WITHOUT THE WRITTEN CONSENT OF HUNTER DOUGLAS

CLIENT  
 ARCHITECT  
 CONSULTANT  
 ARCHITECTURAL TERRACOTTA  
 MAIN CONTRACTOR  
 HunterDouglas Architectural Terracotta (China) Co., Ltd.  
 No.558, FOHO Avenue, FOHO Economic Development Zone, Wujiang, Jiangsu, China  
 INSTALLER

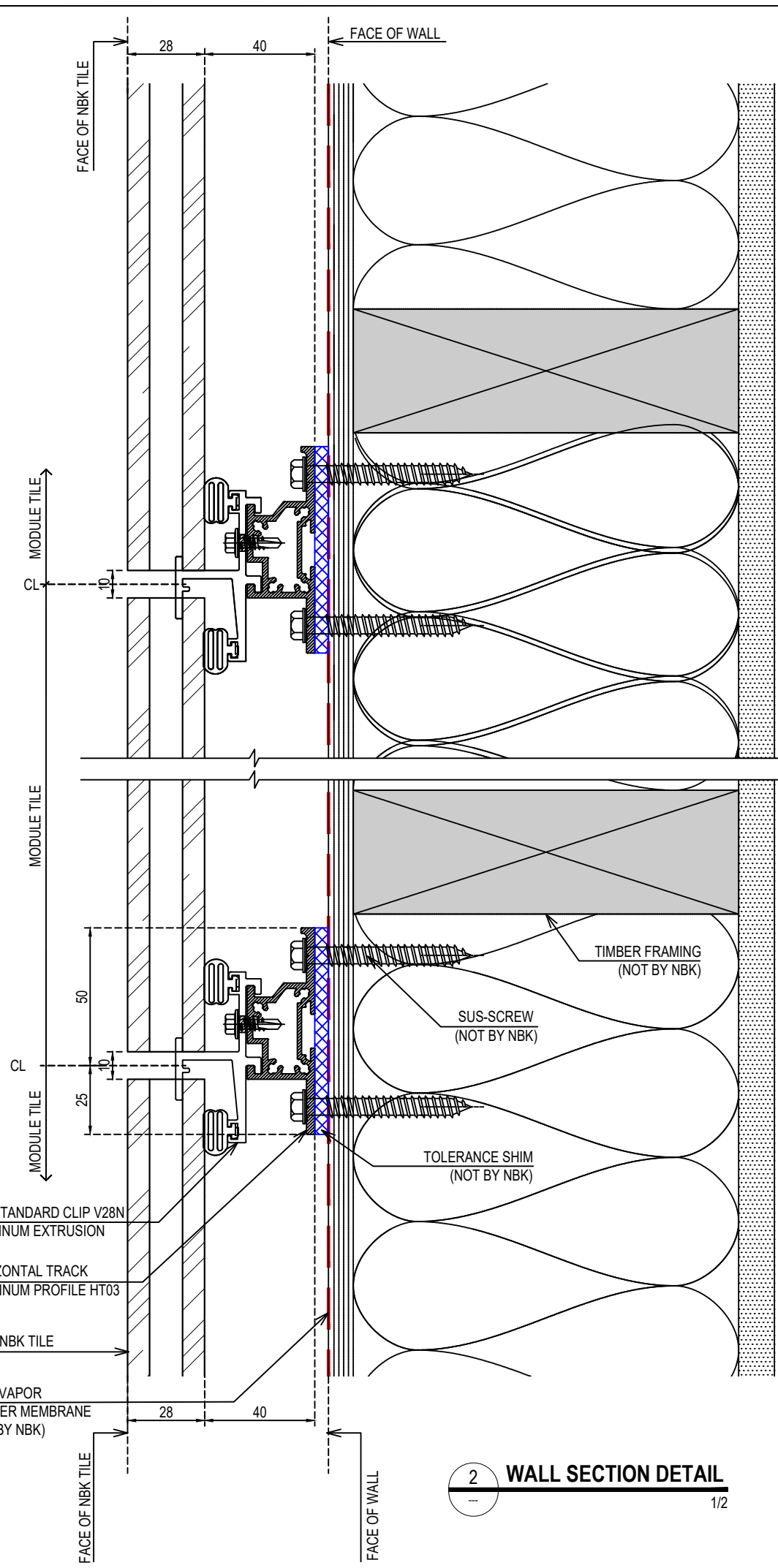
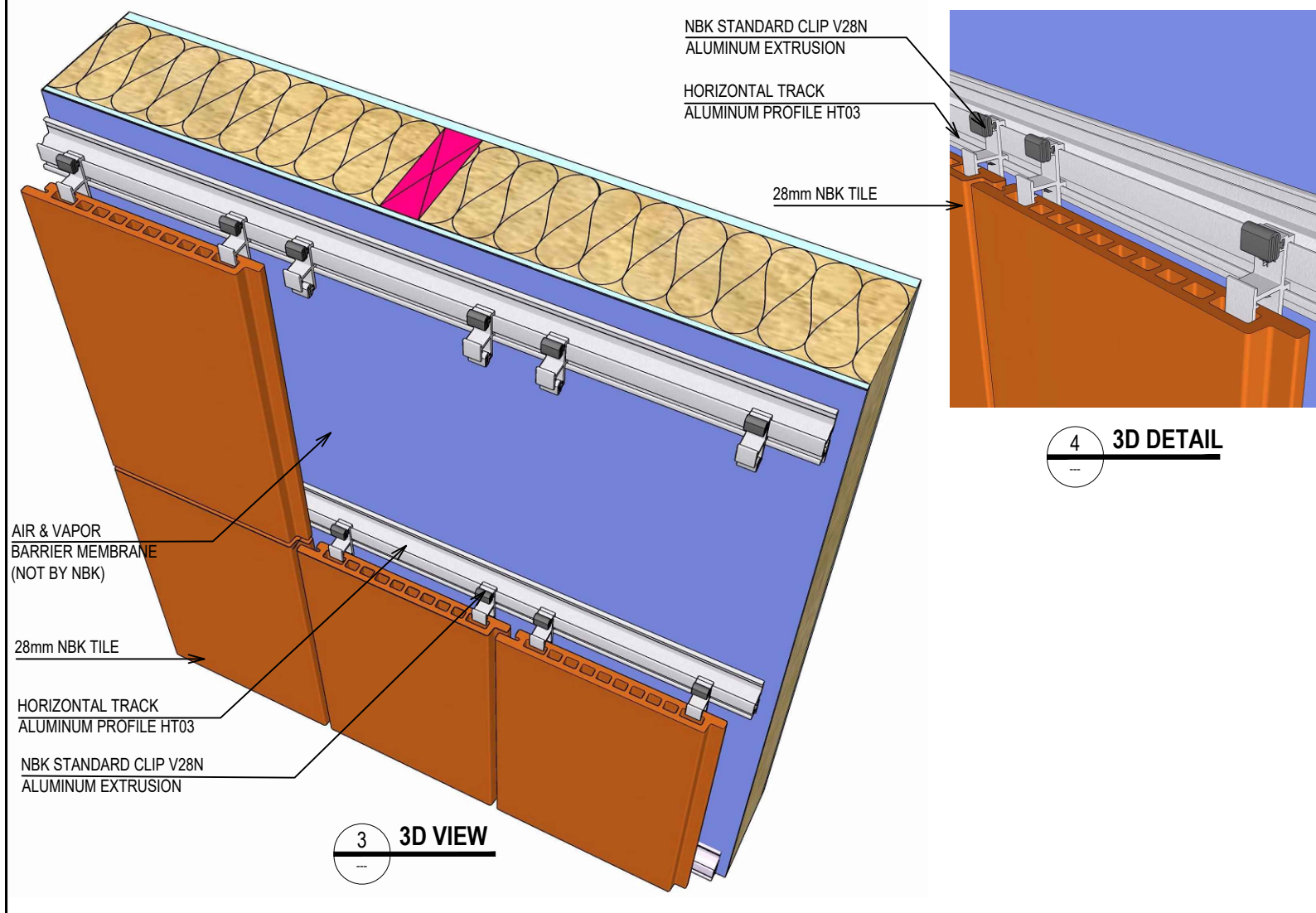
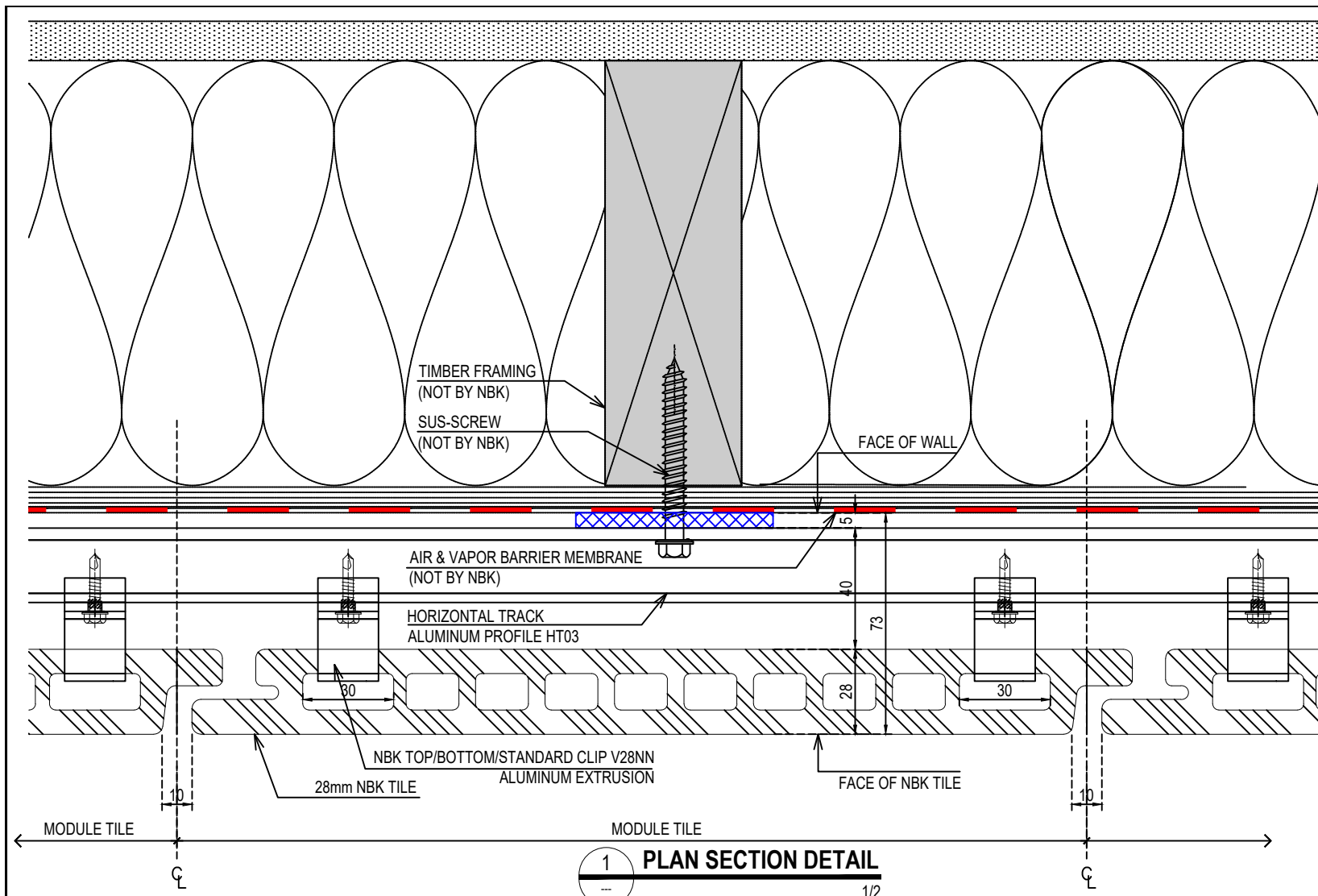
**NBK®- MID**

Hunter Douglas Architectural Terracotta Co., Ltd.  
 TEL:0512-63254999  
 FAX:0512-63254999

KEY PLAN / ELEVATION

	Name	Signature
Drawn	HUONG PHAM	
Check	HUONG PHAM	
Approve	AKAY NGUYEN	
Date	November 8, 2019	
Project	Jacobsen, New Zealand Typical details	
Drawing Title	TYPICAL DETAILS	
Drawing No	DT-210	
Scale	1:1	Format A3
Revisions		Status

©THIS DRAWING IS COPYRIGHT AND SHOULD NOT BE USED OR REPRODUCED FOR ANY PURPOSE OTHER THAN FOR THAT WHICH IT IS SUPPLIED WITHOUT THE WRITTEN CONSENT OF HUNTER DOUGLAS



**PRELIMINARY DRAWING**