

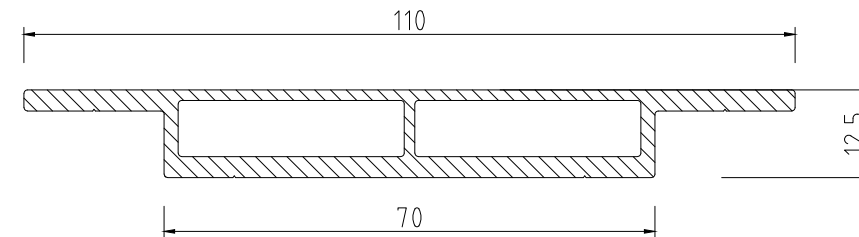
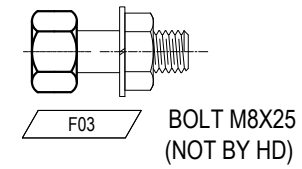
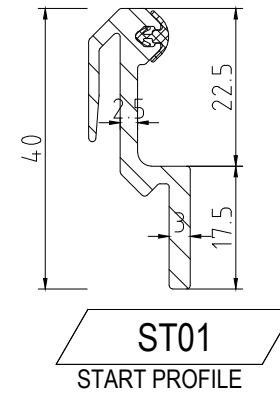
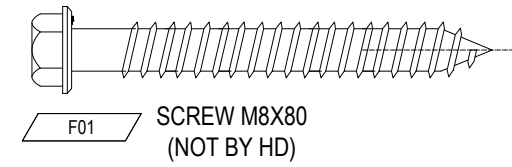
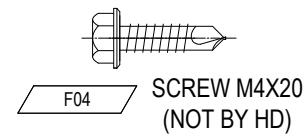
HunterDouglas

QUADROCLAD 200 SYSTEM DETAILS

(QC200 SYSTEM FOR TEST – ASNZS4284)

HunterDouglas Asia
2019

PROPOSE TYPICAL FIXING DETAIL FOR QC200



HunterDouglas

©THIS DRAWING IS COPYRIGHT AND SHOULD NOT BE USED OR REPRODUCED FOR ANY PURPOSE OTHER THAN FOR THAT WHICH IT IS SUPPLIED WITHOUT THE WRITTEN CONSENT OF HUNTER DOUGLAS

	Name	Signature
Design	HUONG	
Check	TUAN	
Approve	TUAN	

Job No.
Project: ASNZS 4284 TEST RIG

Drawing Title :
**COMPONENT
DETAILS**

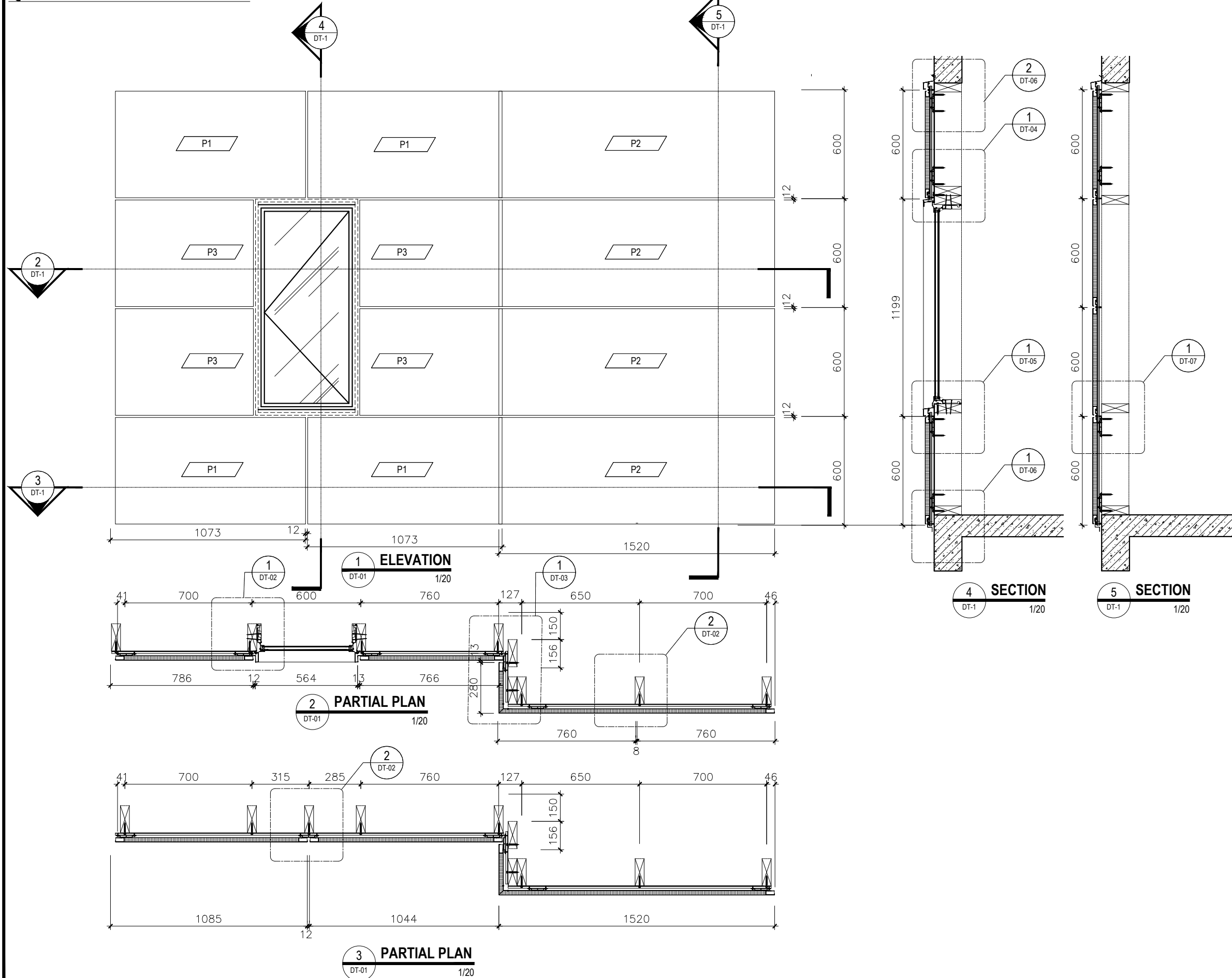
Drawing No. **DT- 00**

Index	Scale	Format: A3
	Rev	Status

Page No.

QC200 FOR TEST - ASNZS4284

NOTE:



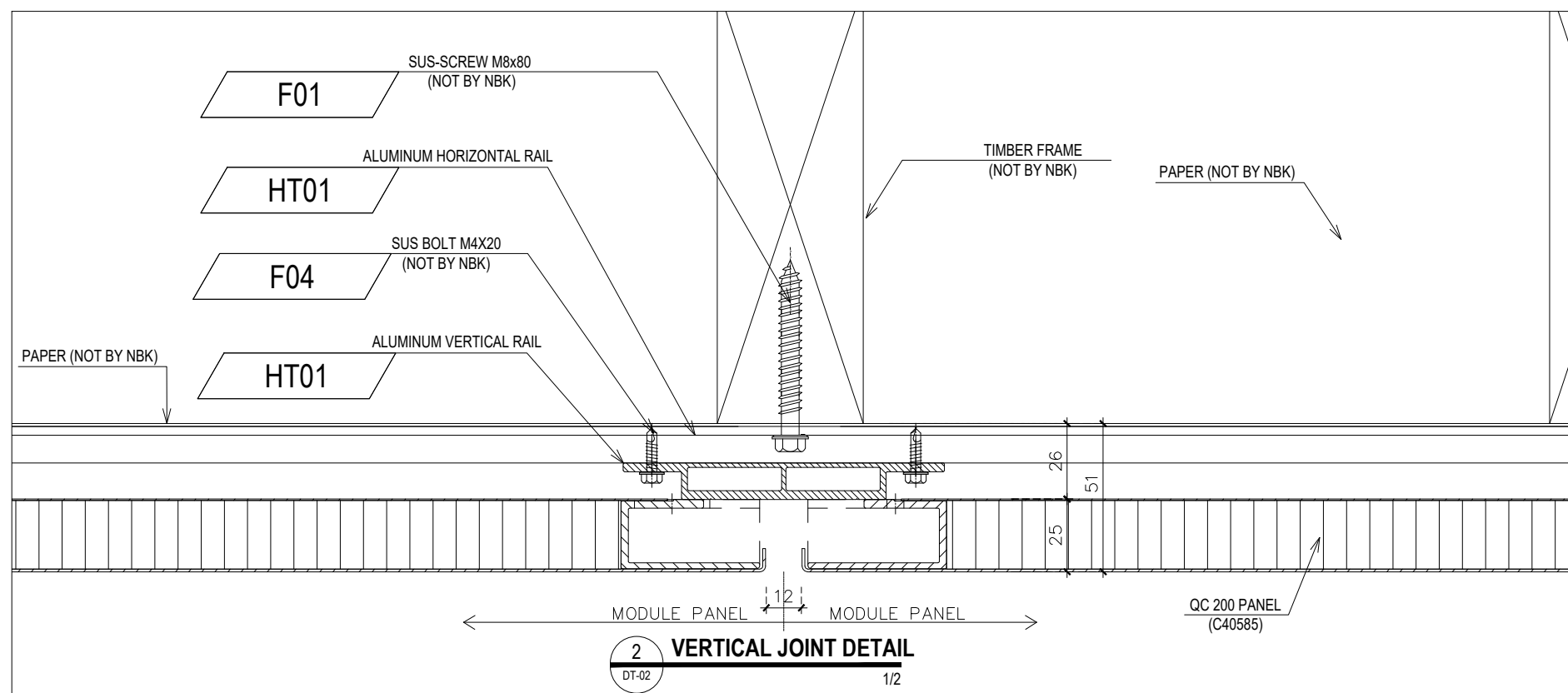
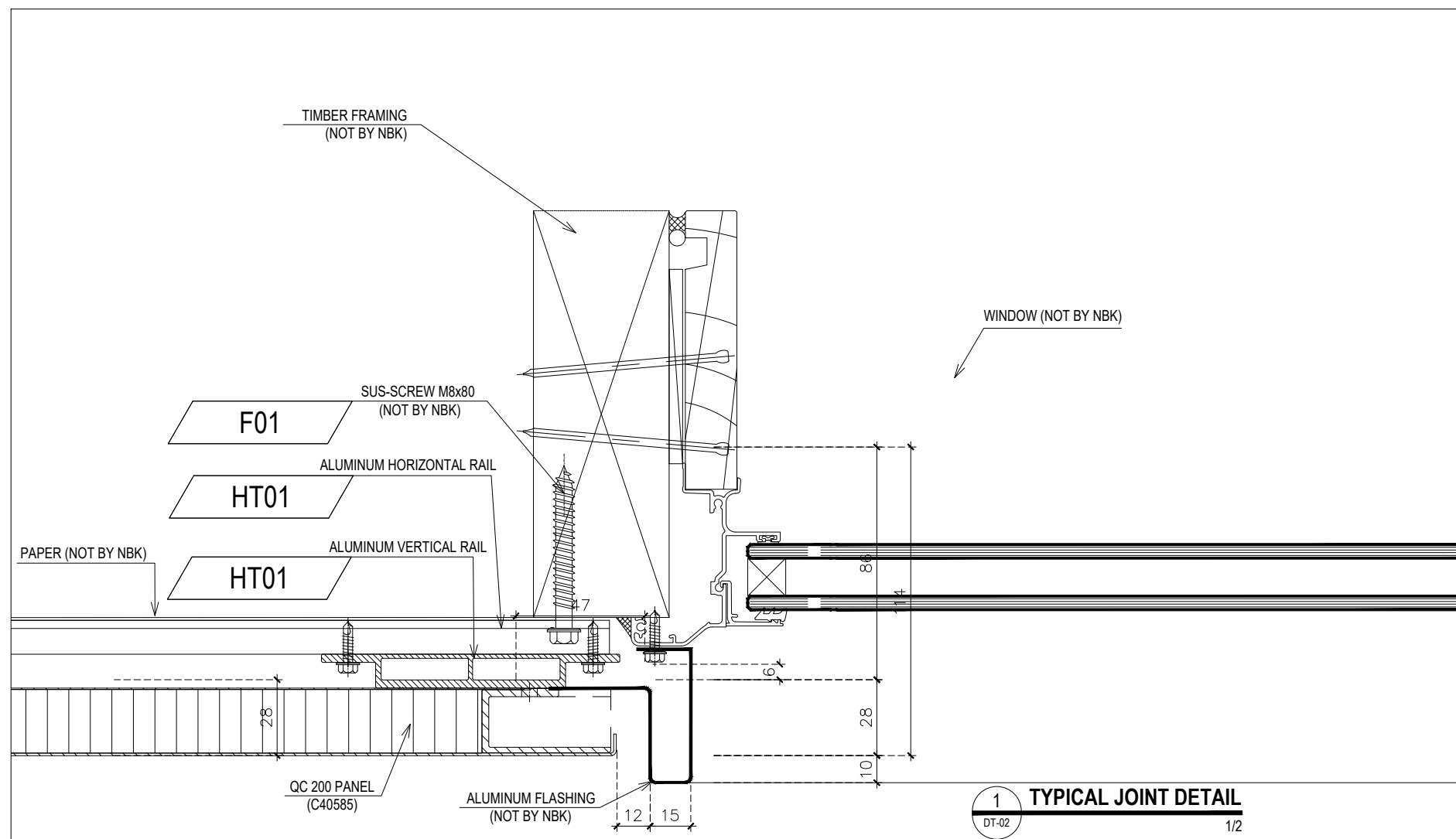
HunterDouglas

©THIS DRAWING IS COPYRIGHT AND SHOULD NOT BE USED OR REPRODUCED FOR ANY PURPOSE OTHER THAN FOR THAT WHICH IT IS SUPPLIED WITHOUT THE WRITTEN CONSENT OF HUNTER DOUGLAS

	Name	Signature
Design	HUONG	
Check	TUAN	
Approve	TUAN	

Job No.
 Project: ASNZS 4284 TEST RIG
 Drawing Title :
ELEVATION & SECTIONS

Drawing No.	DT-01
Index	
Scale	Format: A3
Rev	Status
Page No.	



HunterDouglas

©THIS DRAWING IS COPYRIGHT AND SHOULD NOT BE USED OR REPRODUCED FOR ANY PURPOSE OTHER THAN FOR THAT WHICH IT IS SUPPLIED WITHOUT THE WRITTEN CONSENT OF HUNTER DOUGLAS

	Name	Signature
Design	HUONG	
Check	TUAN	
Approve	TUAN	

Job No.

Project: ASNZS 4284 TEST RIG

Drawing Title :

**VERTICAL JOINT
DETAIL**

Drawing No. **DT-02**

Index

Scale Format: A3

Rev Status

Page No.

HunterDouglas

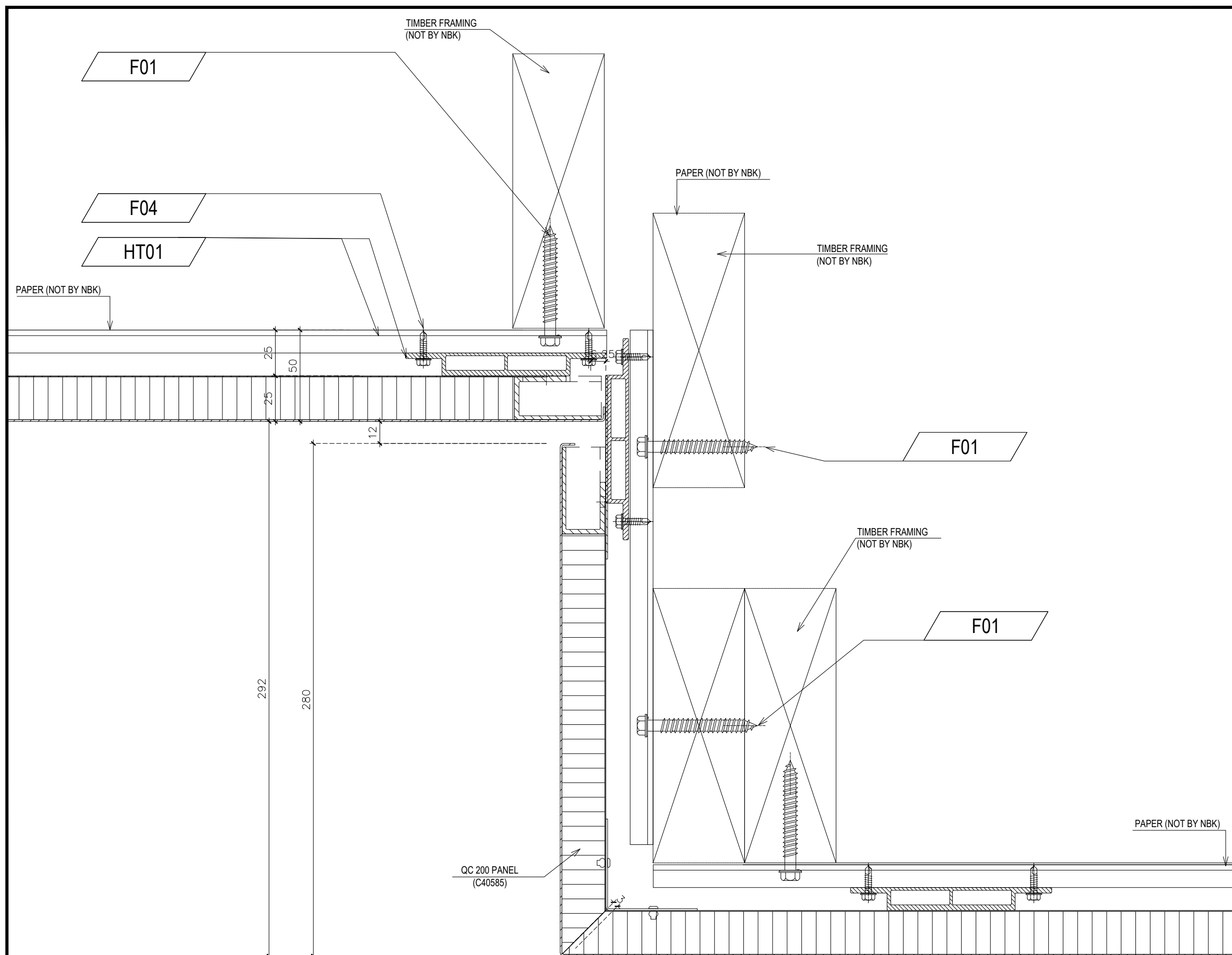
©THIS DRAWING IS COPYRIGHT AND SHOULD NOT BE USED OR REPRODUCED FOR ANY PURPOSE OTHER THAN FOR THAT WHICH IT IS SUPPLIED WITHOUT THE WRITTEN CONSENT OF HUNTER DOUGLAS

	Name	Signature
Design	HUONG	
Check	TUAN	
Approve	TUAN	

Job No. _____
 Project: ASNZS 4284 TEST RIG
 Drawing Title :

CORNER DETAILS

Drawing No.	DT- 03
Index	
Scale	Format: A3
Rev	Status
Page No.	



HT01

25 26

QC 200 PANEL
(C40585)

F01

SCREW M8X80
(NOT BY NBK)

F04

MODULE PANEL

ST01

F02

10

12

DRIP HOLE
(NOT BY NBK)

ALUMINUM FLASHING
(NOT BY NBK)

SEALENT (NOT BY NBK)

WINDOW (NOT BY NBK)

335402

TIMBER FRAMING
(NOT BY NBK)

1 SECTION DETAIL
DT-04 1/2

HunterDouglas

©THIS DRAWING IS COPYRIGHT AND SHOULD NOT BE USED OR REPRODUCED FOR ANY PURPOSE OTHER THAN FOR THAT WHICH IT IS SUPPLIED WITHOUT THE WRITTEN CONSENT OF HUNTER DOUGLAS

	Name	Signature
Design	HUONG	
Check	AKAY	
Approve	AKAY	

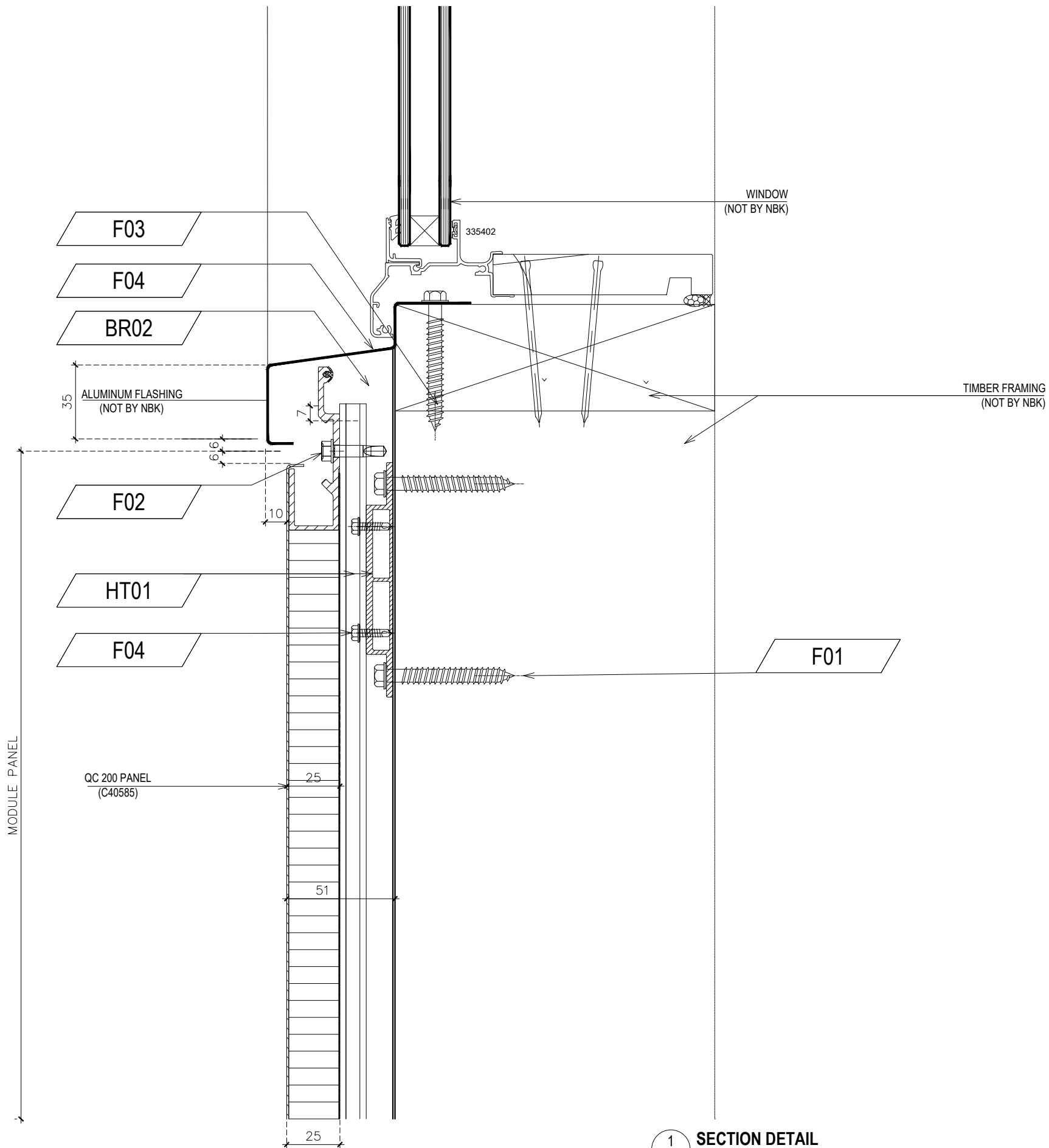
Job No.
Project: ASNZS 4284 TEST RIG

Drawing Title :
TOP WINDOW SECTION DETAIL

Drawing No. **DT-04**

Index	
Scale	Format: A3
Rev	Status

Page No.



HunterDouglas

©THIS DRAWING IS COPYRIGHT AND SHOULD NOT BE USED OR REPRODUCED FOR ANY PURPOSE OTHER THAN FOR THAT WHICH IT IS SUPPLIED WITHOUT THE WRITTEN CONSENT OF HUNTER DOUGLAS

	Name	Signature
Design	HUONG	
Check	TUAN	
Approve	TUAN	

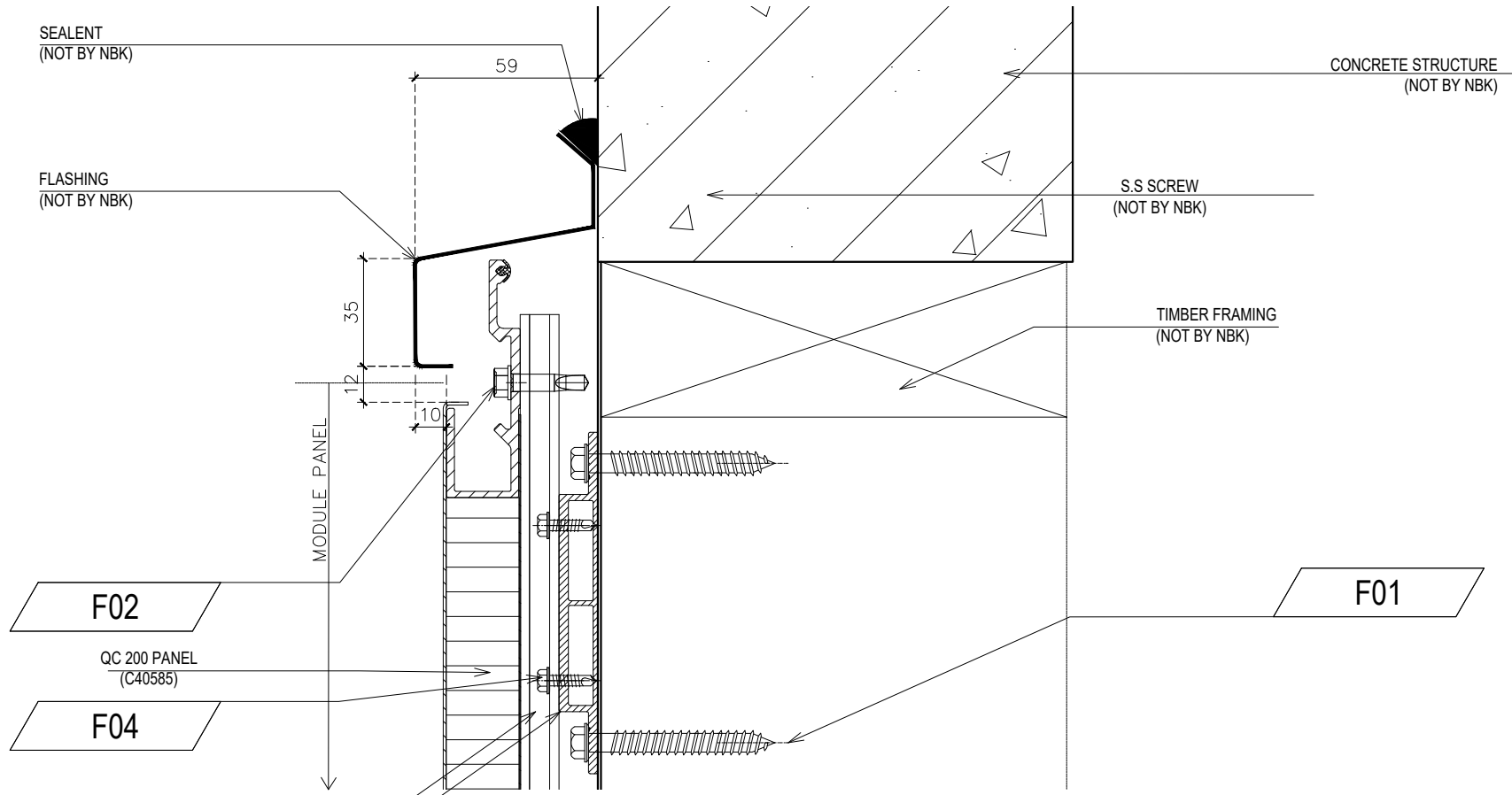
Job No.
Project: ASNZS 4284 TEST RIG

Drawing Title :
WINDOW SILL SECTION DETAIL

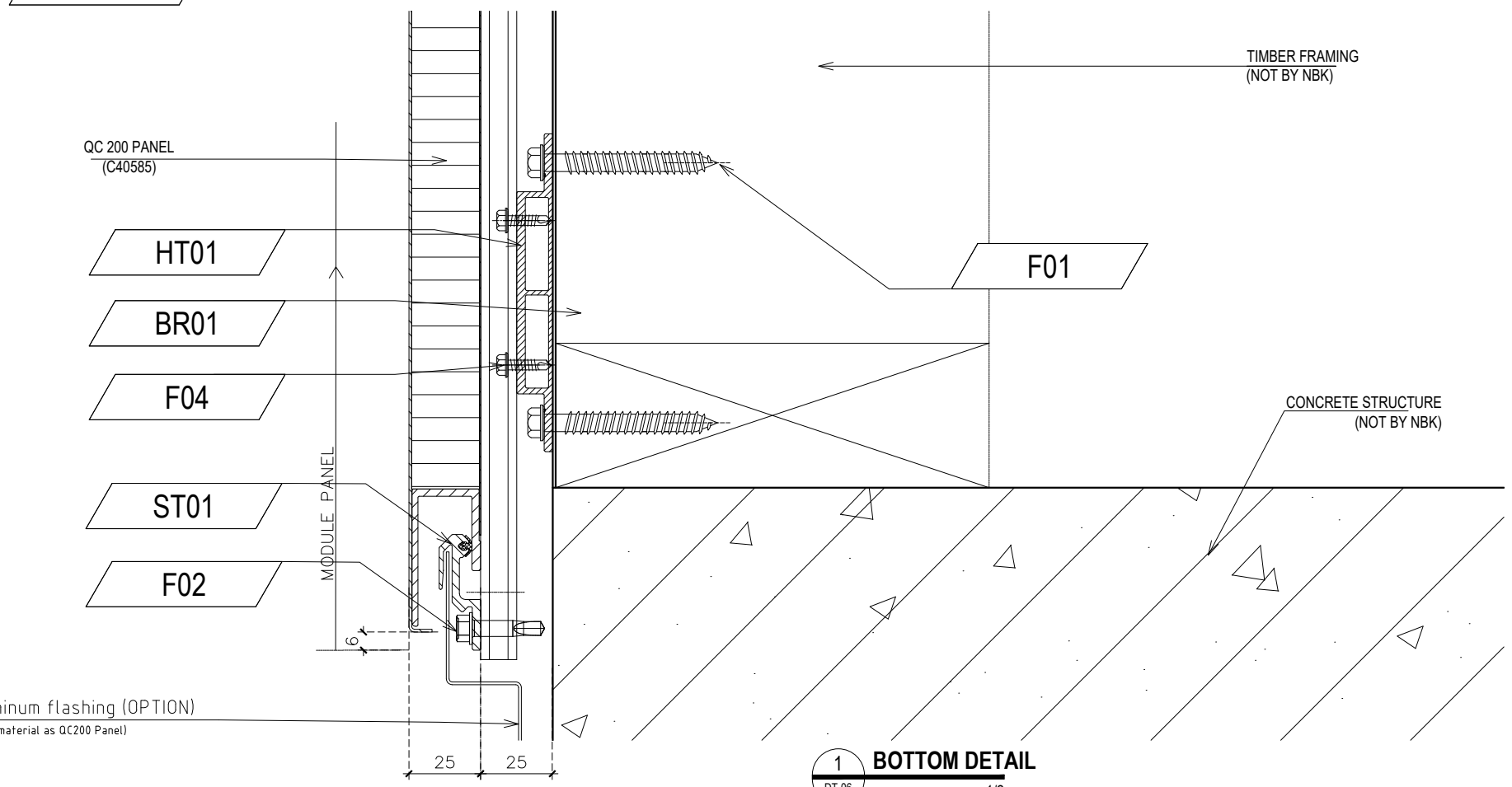
Drawing No. **DT-05**

Index	
Scale	Format: A3
Rev	Status

Page No.



2 TOP DETAIL
DT-06 1/2



1 BOTTOM DETAIL
DT-06 1/2

HunterDouglas

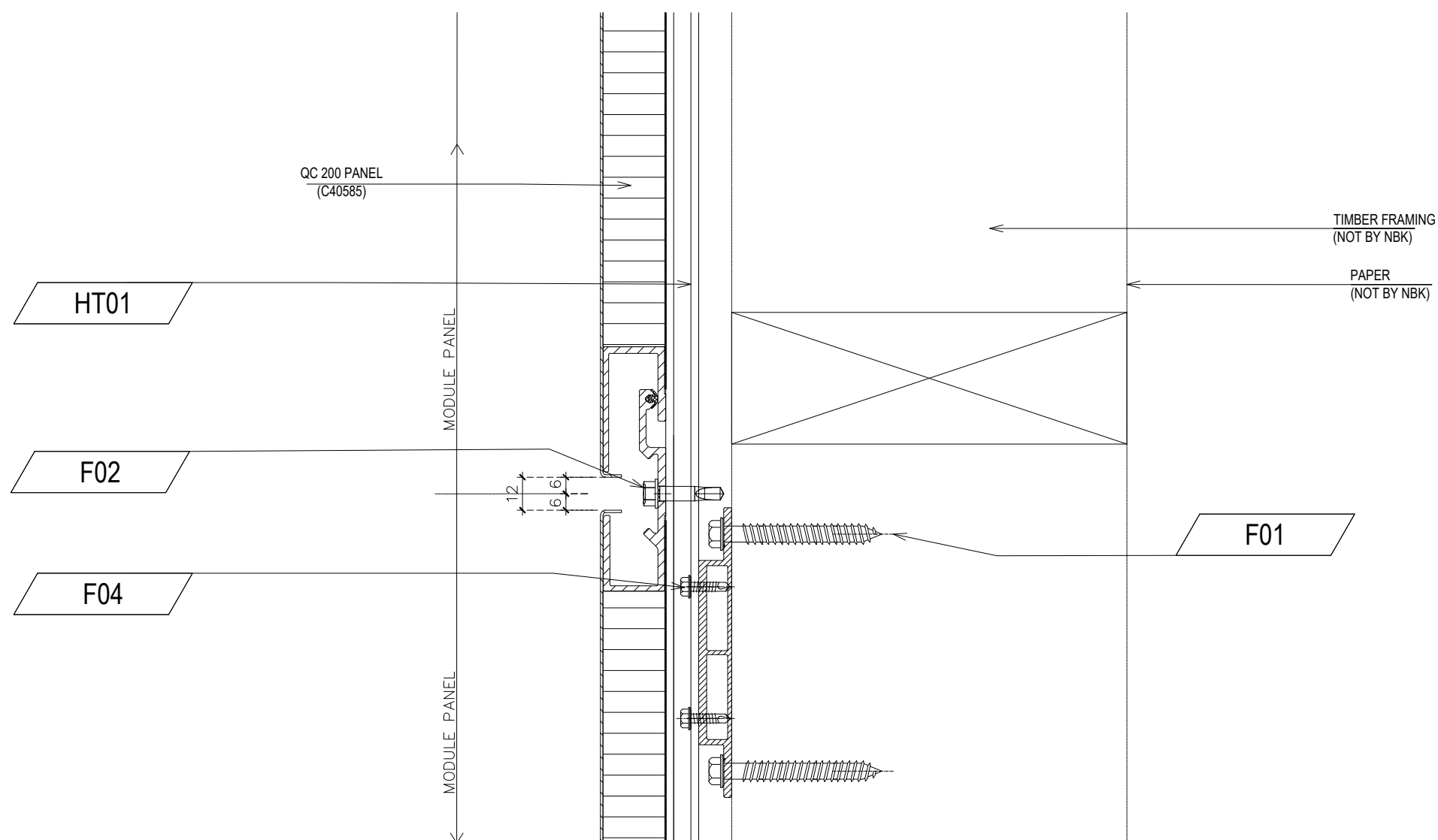
©THIS DRAWING IS COPYRIGHT AND SHOULD NOT BE USED OR REPRODUCED FOR ANY PURPOSE OTHER THAN FOR THAT WHICH IT IS SUPPLIED WITHOUT THE WRITTEN CONSENT OF HUNTER DOUGLAS

	Name	Signature
Design	HUONG	
Check	TUAN	
Approve	TUAN	

Job No. _____
 Project: ASNZS 4284 TEST RIG
 Drawing Title :

TOP & BOT. DETAILS

Drawing No.	DT-06
Index	
Scale	Format: A3
Rev	Status
Page No.	



1 **HORIZONTAL JOINT DETAIL**
DT-07 1/2

HunterDouglas

©THIS DRAWING IS COPYRIGHT AND SHOULD NOT BE USED OR REPRODUCED FOR ANY PURPOSE OTHER THAN FOR THAT WHICH IT IS SUPPLIED WITHOUT THE WRITTEN CONSENT OF HUNTER DOUGLAS

	Name	Signature
Design	HUONG	
Check	TUAN	
Approve	TUAN	

Job No.
Project: ASNZS 4284 TEST RIG

Drawing Title :
HORIZONTAL JOINT DETAILS

Drawing No. **DT-07**

Index	
Scale	Format: A3
Rev	Status

Page No.